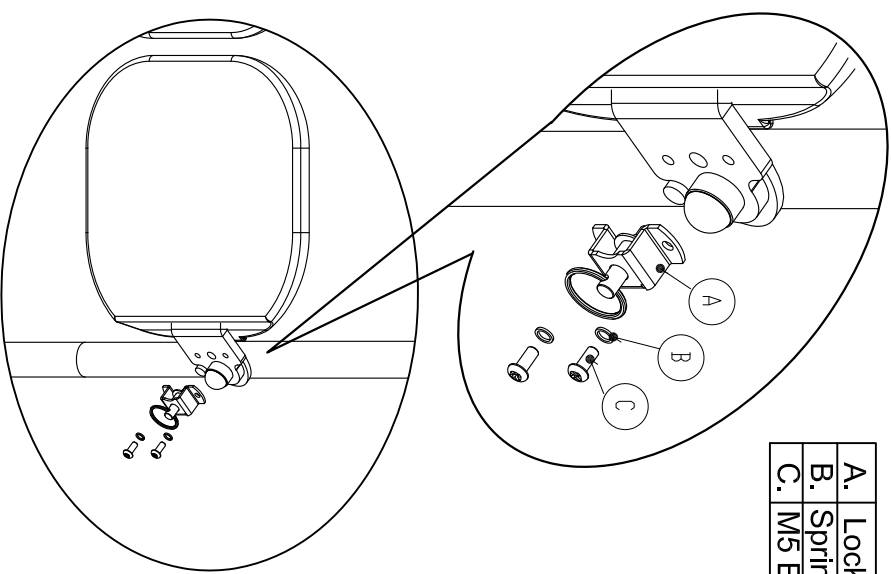
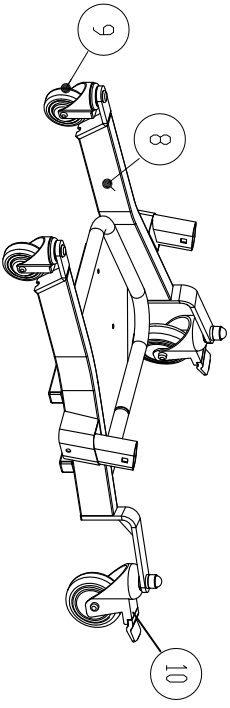
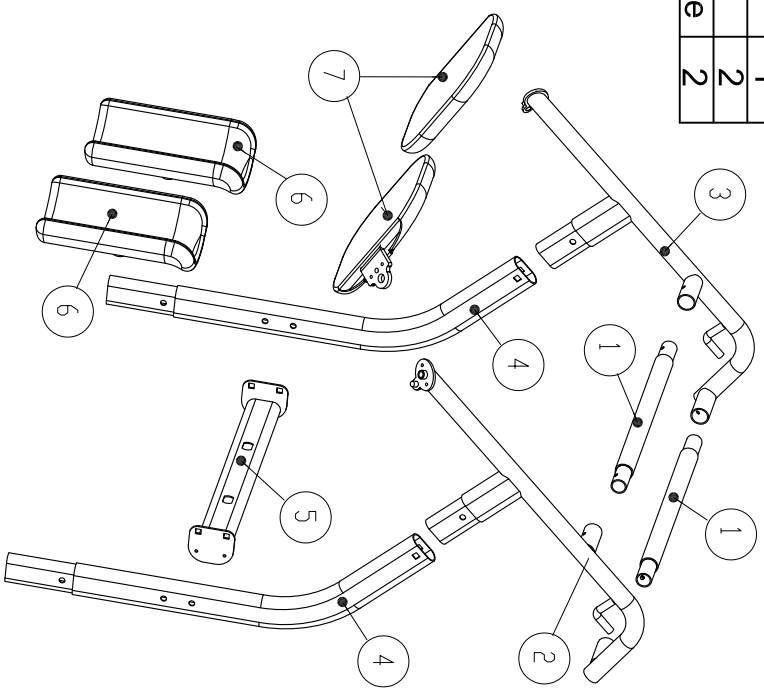


STA400 simple explosion chart

1	Tubular cross bar	2
2	Handle bar support	1
3	Handle bar support	1
4	Support arm	2
5	Kneepad support	1
6	Kneepad	2
7	Seat pad	2
8	Base assemble	1
9	Front castor	2
10	Rear castor with brake	2



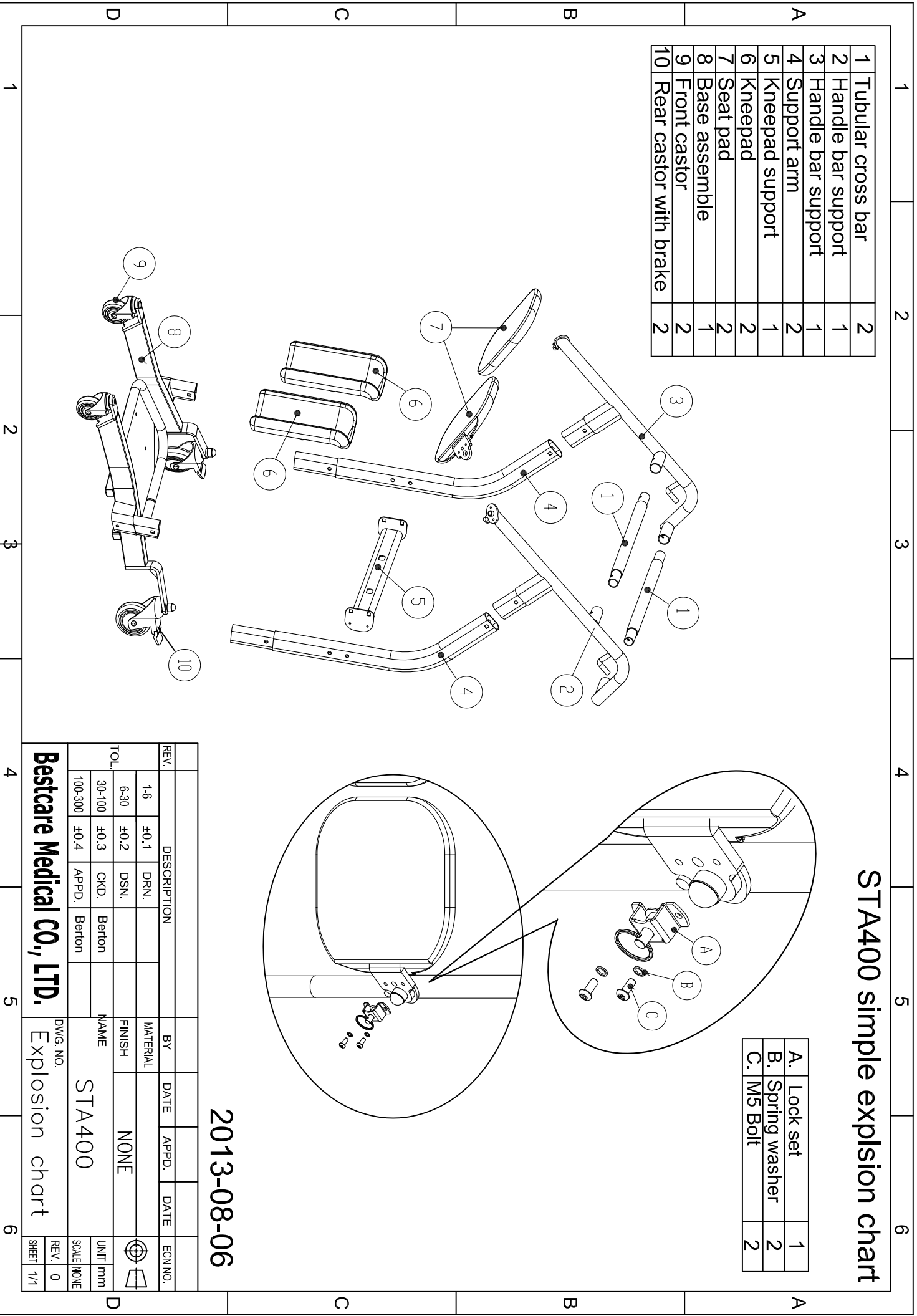
A.	Lock set	1
B.	Spring washer	2
C.	M5 Bolt	2

2013-08-06

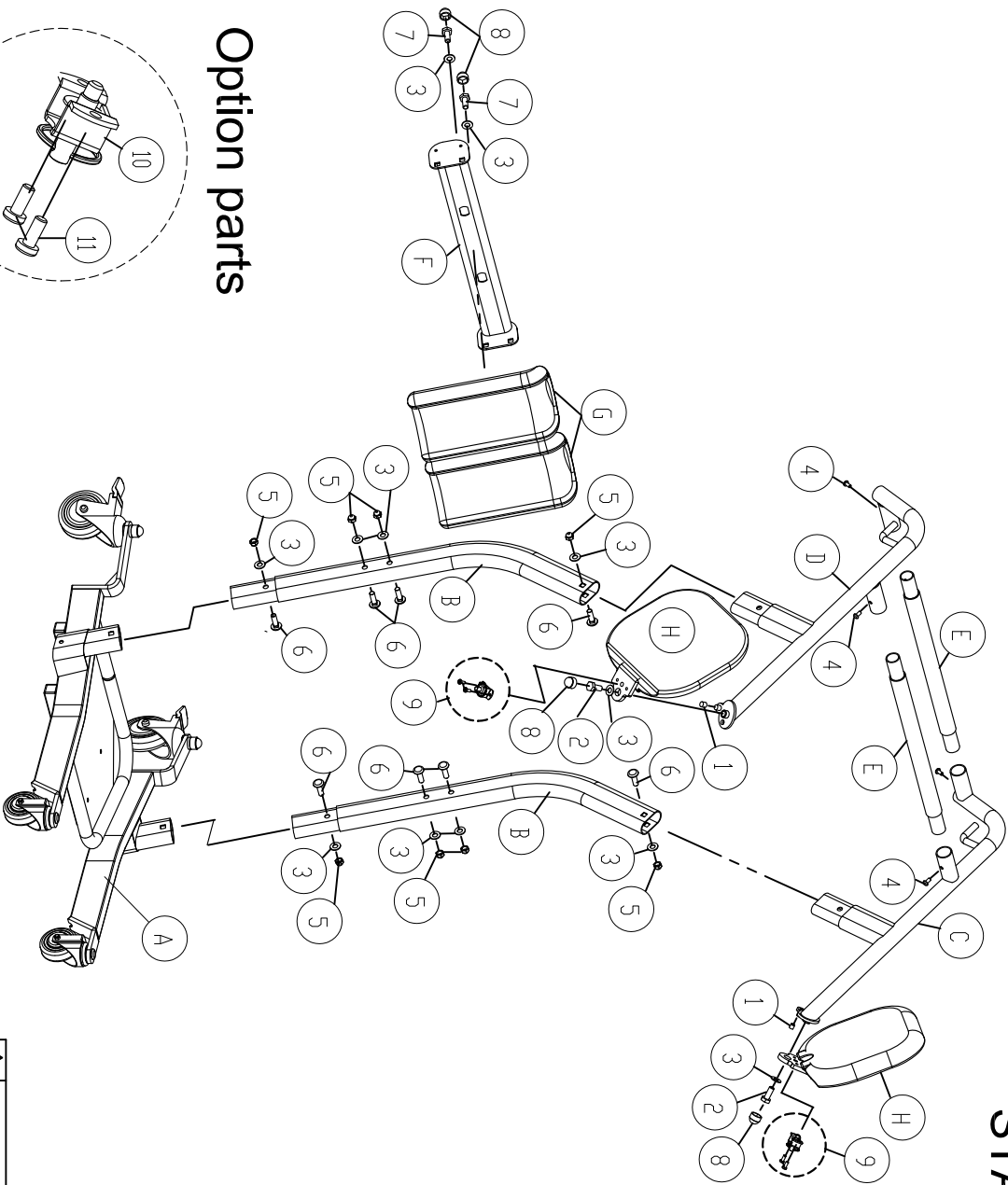
REV.	DESCRIPTION	BY	DATE	APPD.	DATE	EGN NO.
1-6	±0,1	DRN.				
6-30	±0,2	DSN.				
30-100	±0,3	CKD.	Berton			
100-300	±0,4	APPD.	Berton			

TOL.		NAME		UNIT	SCALE
30-100	±0,3	CKD.	Berton	mm	NONE
100-300	±0,4	APPD.	Berton	mm	NONE

Bestcare Medical CO., LTD.		DWG. NO.	Explosion chart
REV.	0	SHEET	1/1



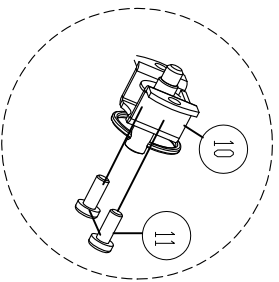
STA400 assemble explosion chart



1.	Cap, $\phi 9$	2
2.	Bolt, M10x20L	2
3.	Washer, M10	10
4.	Bolt, M6x16L	4
5.	Nut, 3/8" with cap	8
6.	Bolt, 3/8"-1-3/4"L	8
7.	Bolt, M10x30L	2
8.	Cap, M10	4
9.	Option parts, (Seat lock kit)	2
10.	Seat lock	1
11.	Bolt, M5x8L	2

A.	STA400 Base assemble	1
B.	Support arm	2
C.	Handle bar support	1
D.	Handle bar support	1
E.	Tubular cross bar	1
F.	Kneepad support	1
G.	Kneepad	2
H.	Seatpad	2

Option parts



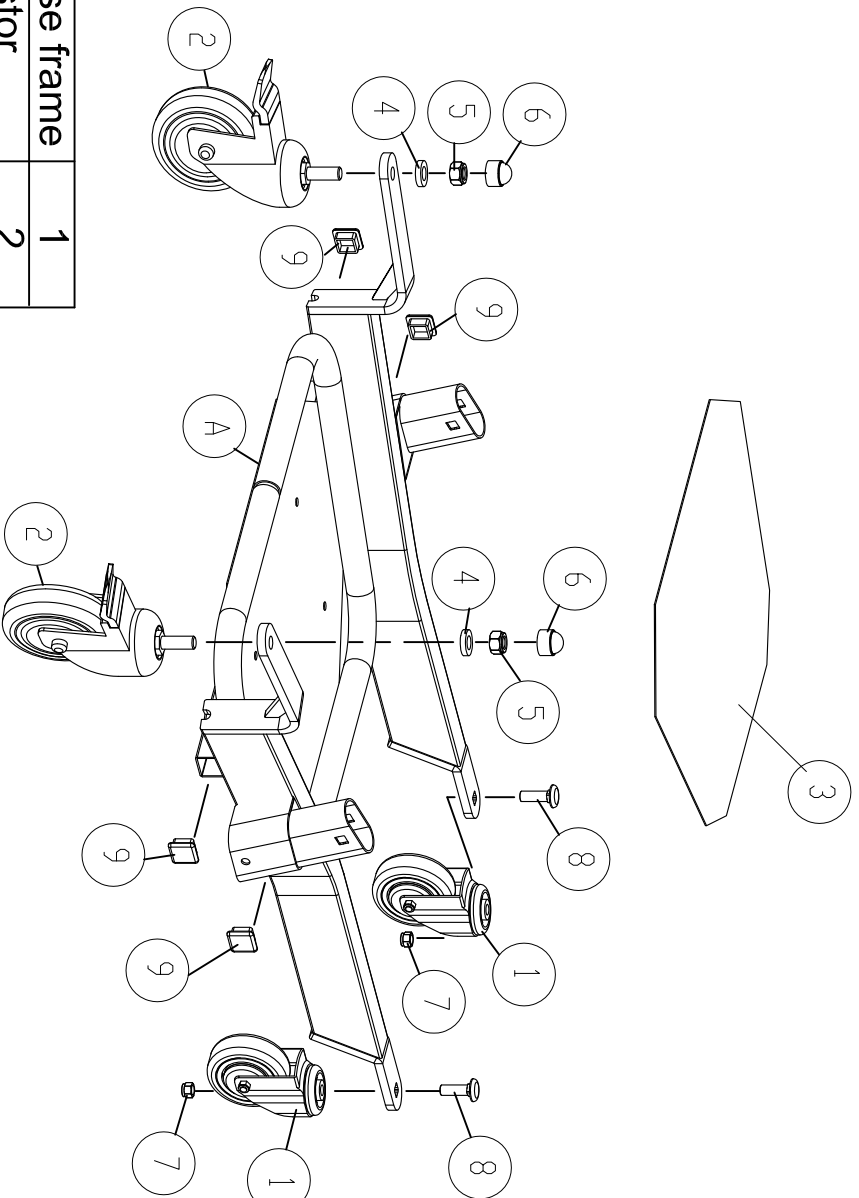
scale 5:1

Seat lock kit

2013-08-06

新發行						
REV.	DESCRIPTION	BY	DATE	APPD.	DATE	EGN NO.
1-6	± 0.1 DRN.					
6-30	± 0.2 DSN.					
30-100	± 0.3 CKD.					
100-300	± 0.4 APPD.					
TOL.		NAME		UNIT		SCALE
		STA400 assemble		mm		NONE
Bestcare Medical CO., LTD.		DWG. NO. XXXX-XXXXXXX		REV. 0		SHEET 1/1

STA400 Base assemble explosion drawing



A.	STA400 base frame	1
1.	3" Front castor	2
2.	4"Castor, With brake	2
3.	Slip pad, STA400	1
4.	Washer, M12-5t	2
5.	Nut, M12	2
6.	Cap, M12	2
7.	Nut, 3/8"	2
8.	Bolt, 3/8"	2
9.	Cap, 25x25	4

2013-08-06

		新發行								
REV.	DESCRIPTION	BY	DATE	APPD.	DATE	EGN NO.				
1-6	±0.1	DRN.								
6-30	±0.2	DSN.								
30-100	±0.3	CKD.								
100-300	±0.4	APPD.								
TOL.		NAME		UNIT		SCALE				
		STA400 Base		mm		NONE				
Bestcare Medical CO., LTD.		DWG. NO. XXXX-XXXXXXX		STA400 Base		SCALE NONE				
		REV. 0		SHEET 1/1						