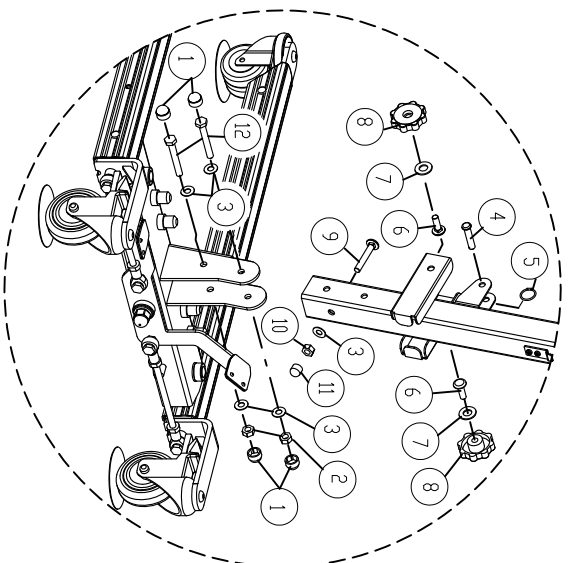


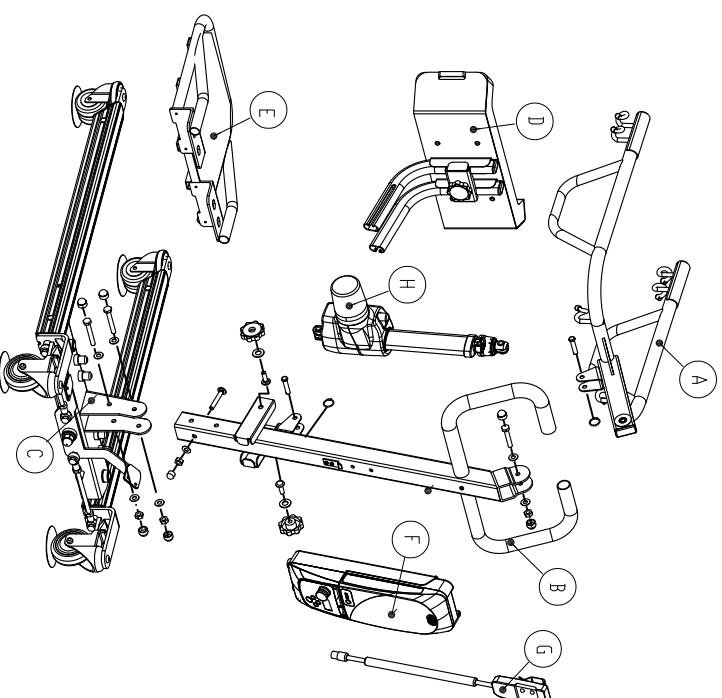
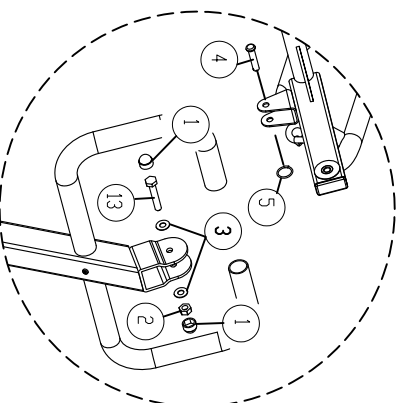
# SA500E assemble explosion chart

1.	Cap, M10	6
2.	Nut, M10	3
3.	Washer, M10	7
4.	Pin, $\phi 48L$	2
5.	Ring	2
6.	Bolt, 3/8" 1-1/4"L	2
7.	Washer, M12	2
8.	Knob nut, 3/8"	2
9.	Bolt, 3/8" 2-3/4"L	1
10.	Nut, 3/8"	1
11.	Cap, 3/8"	1
12.	Bolt, M10x75L	2
13.	Bolt, M10x55L	1



scale: 1.5:1

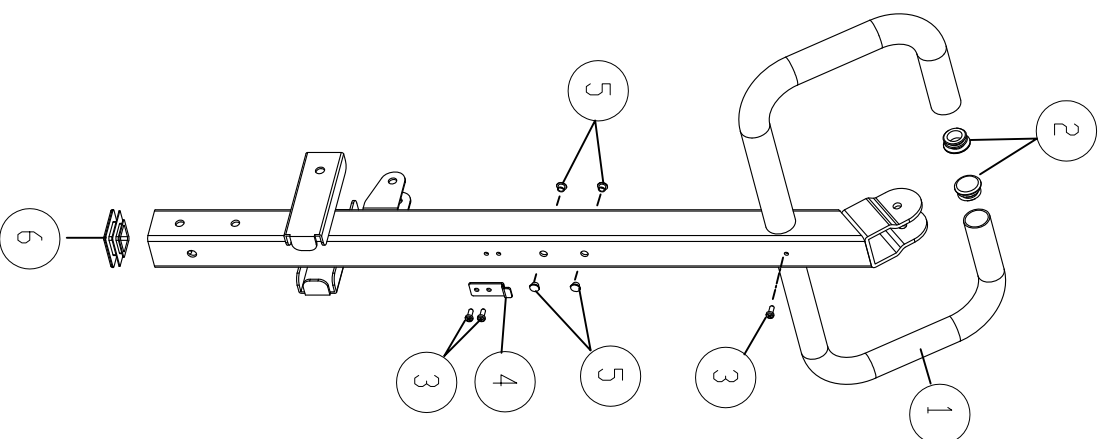
A.	Boom assemble	1
B.	Mast assemble	1
C.	Boom assemble	1
D.	Knee pad assemble	1
E.	Footrest assemble	1
F.	Performance control box	1
G.	Pedant	1
H.	Actuator	1



2013-08-06

△ 新發行	REV.	DESCRIPTION	Berton	BY	DATE	APPD.	DATE	EGN NO.
	1-6	$\pm 0.1$	DRN.					
	6-30	$\pm 0.2$	DSN.				NONE	
TOL.	30-100	$\pm 0.3$	CKD.					
	100-300	$\pm 0.4$	APPD.					
			NAME	SA500E assemble				
			DWG. NO.	Explosion chart				
<b>Bestcare Medical CO., LTD.</b>								
			UNIT	mm				
			SCALE	NONE				
			REV.	0				
			SHEET	1/1				

# MDS400SA/SA500E/SA600E Mast assembly explosion chart

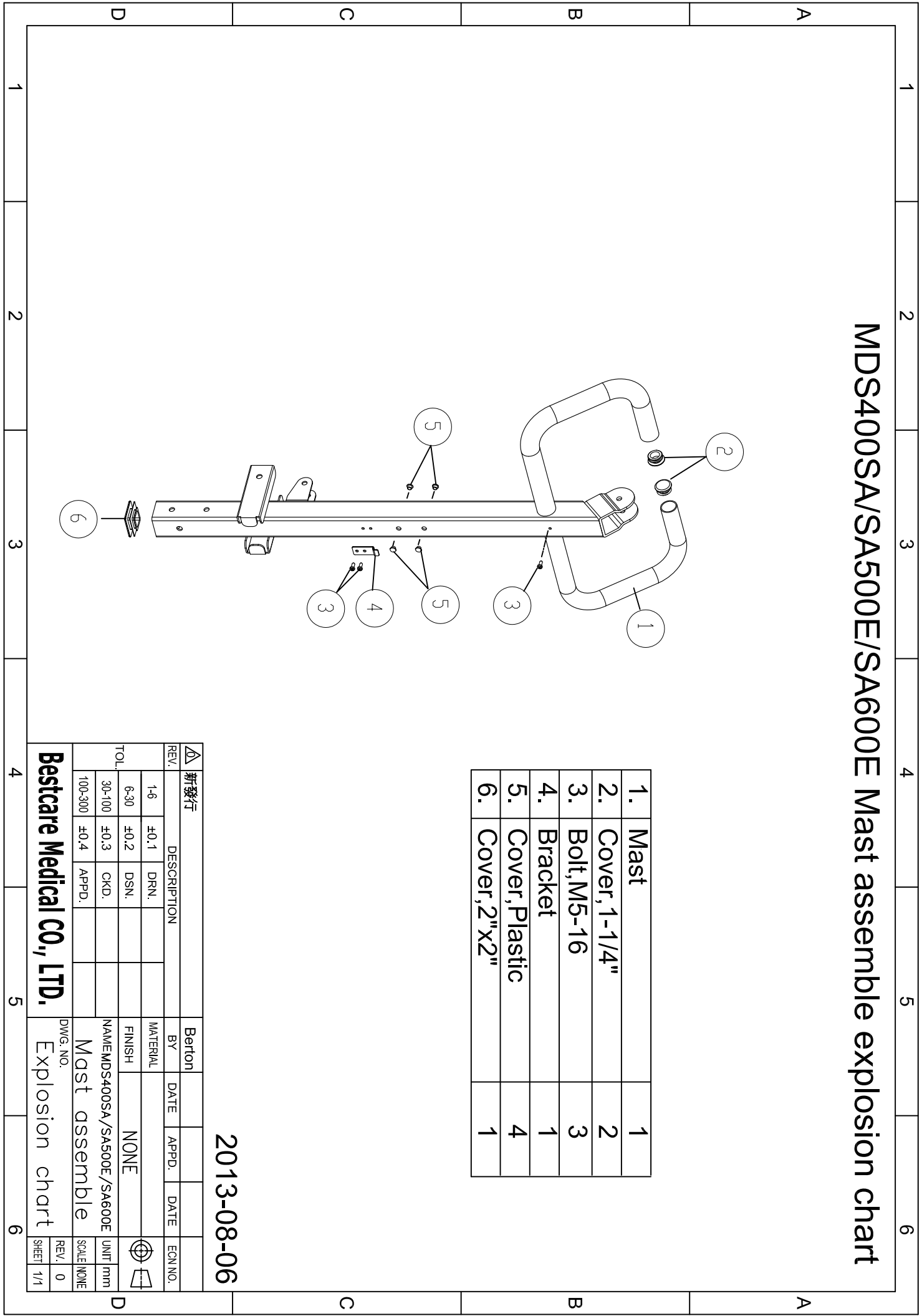


1.	Mast	1
2.	Cover, 1-1/4"	2
3.	Bolt, M5-16	3
4.	Bracket	1
5.	Cover, Plastic	4
6.	Cover, 2"x2"	1

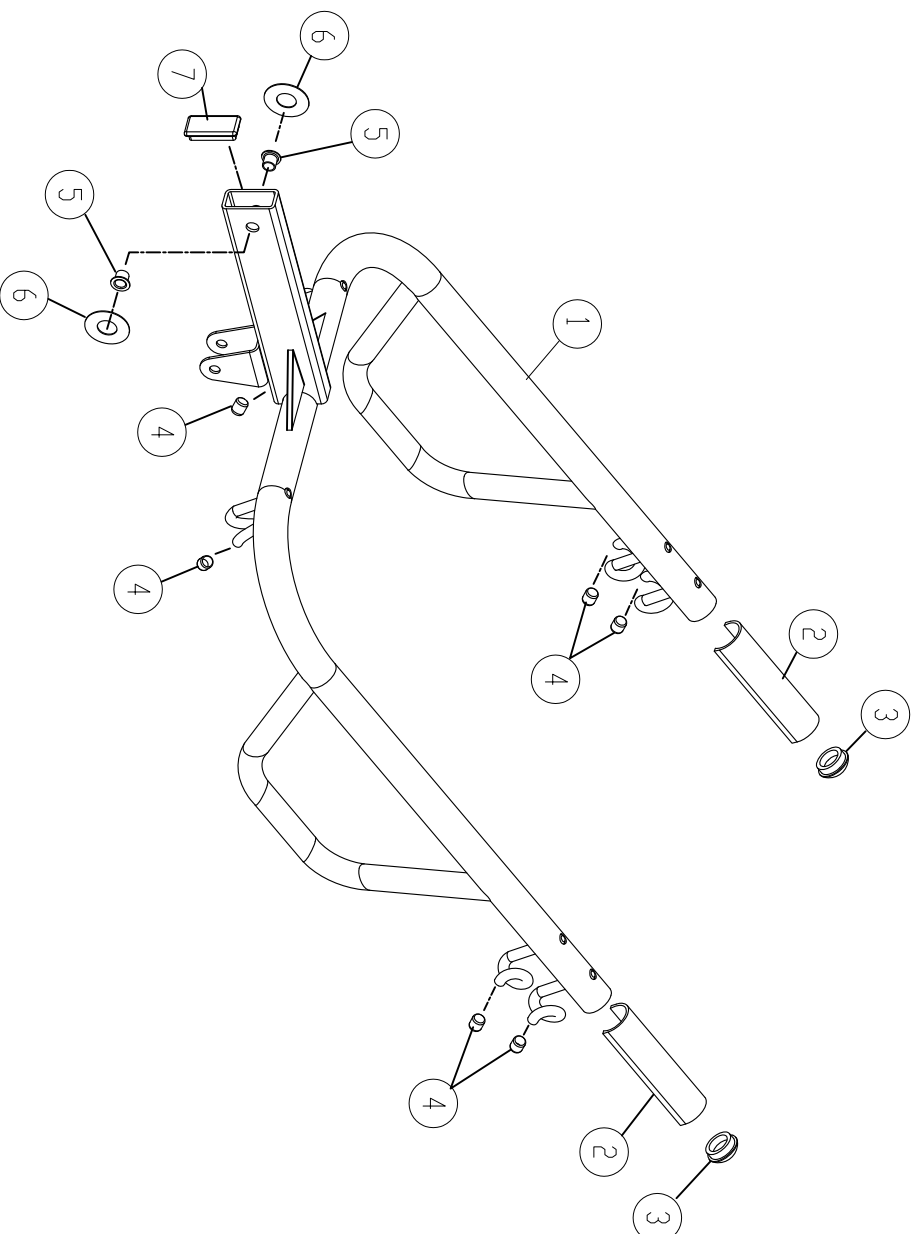
2013-08-06

△ 新發行 DESCRIPTION 1-6 ±0.1 DRN. 6-30 ±0.2 DSN. 30-100 ±0.3 CKD. 100-300 ±0.4 APPD.		Berton BY DATE APPD. DATE EGN NO.
TOL. 30-100 ±0.3 CKD. 100-300 ±0.4 APPD.		FINISH NONE NAME: MDS400SA/SA500E/SA600E UNIT: mm SCALE: NONE
DWG. NO. Mast assembly Explosion chart		REV. 0 SHEET 1/1

**Bestcare Medical CO., LTD.**



# SA400/SA500 BOOM assemble explosion chart

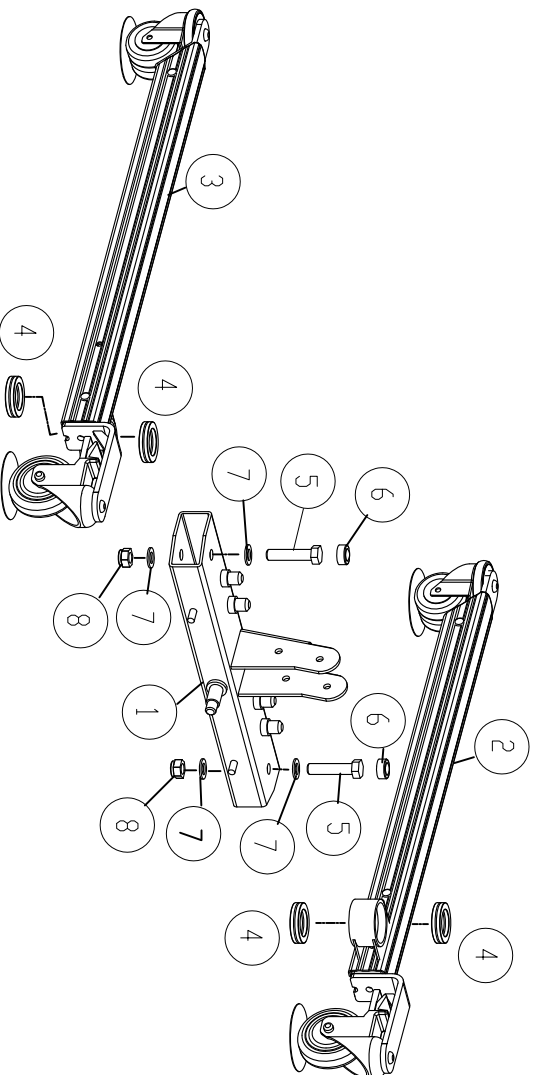


1.	BOOM	1
2.	Cover, Plastic	2
3.	Cover, 1-1/4"	2
4.	Cap. $\phi$ 3/8"	6
5.	Bushing	2
6.	Spacer	2
7.	Cover, 25x50	1

2013-08-06

		新發行		Berton	
REV.	DESCRIPTION	BY	DATE	APPD.	DATE
1-6	$\pm 0.1$	DRN.			
6-30	$\pm 0.2$	DSN.			
30-100	$\pm 0.3$	CKD.			
100-300	$\pm 0.4$	APPD.			
TOL.		NAME		UNIT	
		SA400/SA500		mm	
		BOOM assemble		SCALE	
				NONE	
Bestcare Medical CO., LTD.			DWG. NO. Explosion chart		
			REV. 0		
			SHEET 1/1		

# SA500/SA600 Base-1 assemble explosion chart

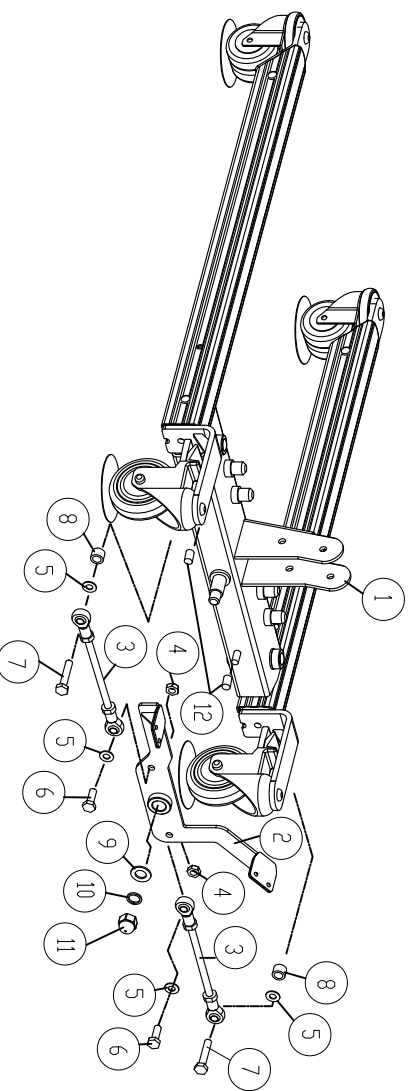


1.	Base	1
2.	Leg assemble,right	1
3.	Leg assemble,left	1
4.	Thrust ball bearing	4
5.	Bolt,M16x70L	2
6.	Cap,Rubber	2
7.	Washer,M16	4
8.	Nut,M16	2

2013-08-06

△ 新發行		Berton		ECONO.	
REV.	DESCRIPTION	BY	DATE	APPD.	DATE
1-6	±0.1 DRN.				
6-30	±0.2 DSN.				
30-100	±0.3 CKD.				
100-300	±0.4 APPD.				
TOL.		NAME		UNIT	
		SASAS500/SA600		mm	
		Base-1 assemble		SCALE	
				NONE	
Bestcare Medical CO., LTD.		DWG. NO.		REV.	
		Explosion chart		0	
				SHEET	
				1/1	

# SA500/SA600 Base-2 assemble explosion chart

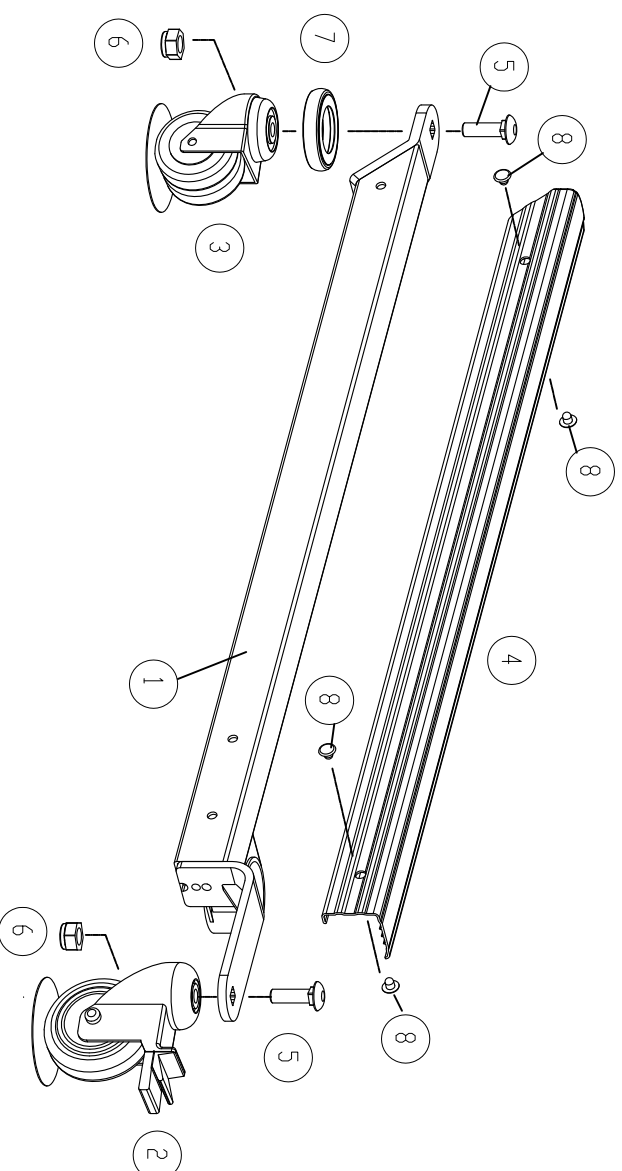


1.	Base assemble	1
2.	Adjusting Pedal	1
3.	Rod arm	2
4.	Nut, M10	2
5.	Washer, M10	4
6.	Bolt, M10x30L	2
7.	Bolt, M10x55L	2
8.	Tube, spacer	2
9.	Washer, $\phi 16$	1
10.	Spring washer, $\phi 16$	1
11.	Cap nut, M16	1
12.	Cap, 3/8"	1

2013-08-06

新發行		Berton			
REV.	DESCRIPTION	BY	DATE	APPD.	DATE
1-6	$\pm 0.1$ DRN.				
6-30	$\pm 0.2$ DSN.				
30-100	$\pm 0.3$ CKD.				
100-300	$\pm 0.4$ APPD.				
TOL.		NAME	SA500/SA600		
		Base-2 assemble			
		DWG. NO.	Explosion chart		
<b>Bestcare Medical CO., LTD.</b>					
		UNIT	mm		
		SCALE	NONE		
		REV.	0		
		SHEET	1/1		

# SA500/SA600 leg assemble-left explosion chart

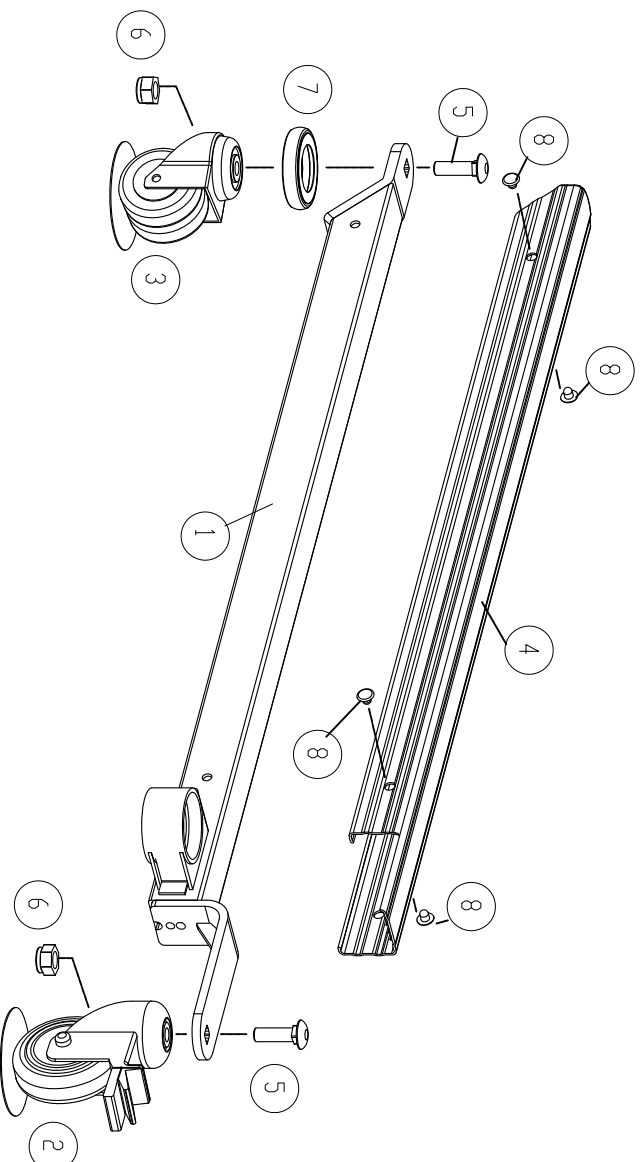


1.	Leg, left	1
2.	Castor, 4" brake	1
3.	Castor, 3"	1
4.	Cover, Pvc	1
5.	Bolt, 1/2"-1-3/4"	2
6.	Nut, 1/2"	2
7.	Bump	1
8.	Rivet	4

2013-08-06

△ 新發行 REV. DESCRIPTION 1-6 ±0.1 DRN. 6-30 ±0.2 DSN. 30-100 ±0.3 CKD. 100-300 ±0.4 APPD.		Berton BY DATE APPD. DATE	EGN NO. UNIT mm SCALE NONE
TOL. 30-100 ±0.3 CKD. 100-300 ±0.4 APPD.		NAME SA500/SA600 Leg assemble-left	DWG. NO. Explosion chart REV. 0 SHEET 1/1
<b>Bestcare Medical CO., LTD.</b>			

# SA500/SA600 leg assemble-right explosion chart



1.	Leg, right	1
2.	Castor, 4" brake	1
3.	Castor, 3"	1
4.	Cover, Pvc	1
5.	Bolt, 1/2"-1-3/4"	2
6.	Nut, 1/2"	2
7.	Bump	1
8.	Rivet	4

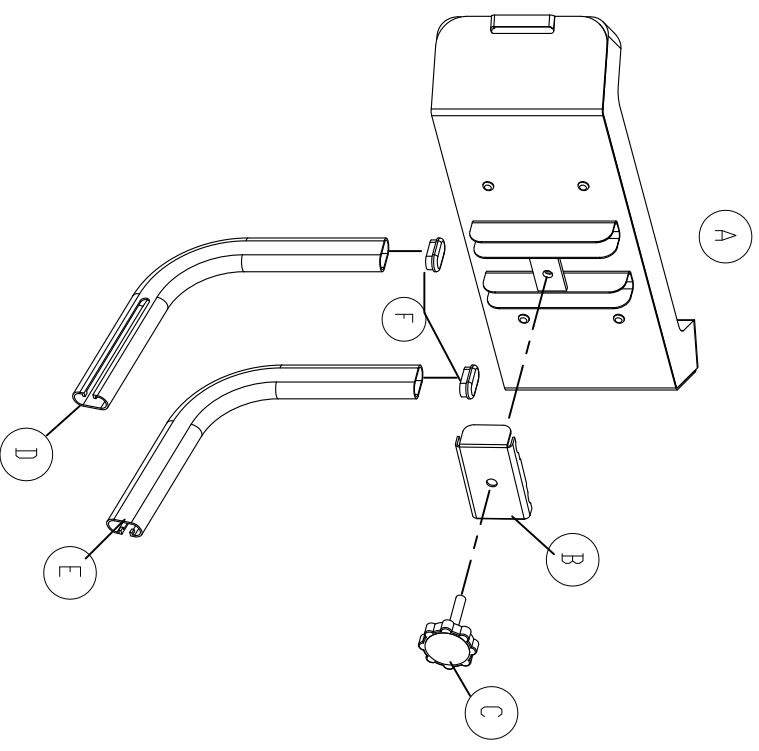
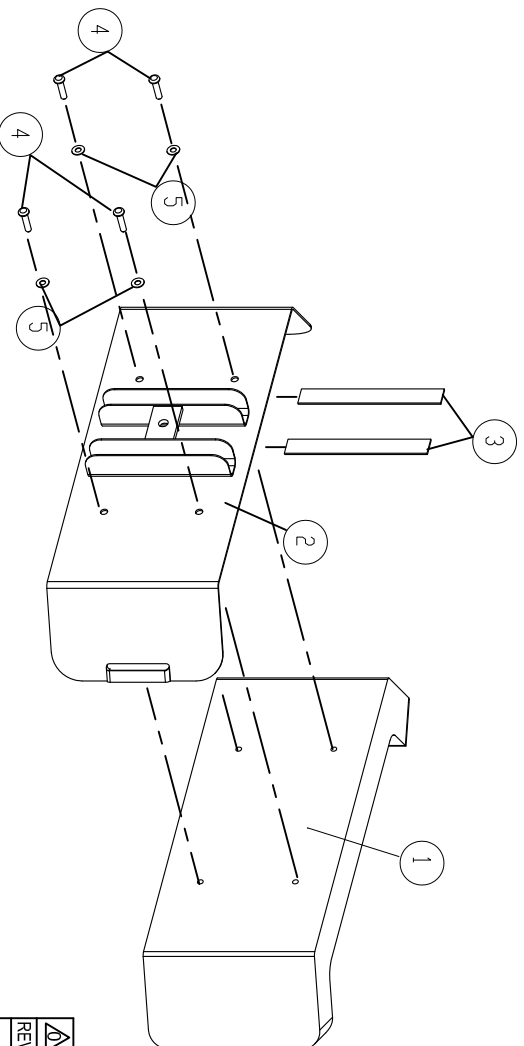
2013-08-06

新發行		<b>Berton</b>		EGN NO.	
REV.	DESCRIPTION	BY	DATE	APPD.	DATE
1-6	±0.1	DRN.			
6-30	±0.2	DSN.			NONE
30-100	±0.3	CKD.			
100-300	±0.4	APPD.			
<b>Bestcare Medical CO., LTD.</b>		NAME SA500/SA600		UNIT mm	
DWG. NO. Explosion chart		Leg assemble-right		SCALE NONE	
				REV.	0
				SHEET	1/1

# SA400/SA500 Kneepad assemble explosion chart

A.	Kneepad assemble, Foam	1
B.	Bracket	1
C.	Bolt, Knob	1
D.	L Type, left	1
E.	L Type, right	1
F.	Cap, 20x40	2

1.	Foam	1
2.	Bracket, kneepad	1
3.	Slip sticker skin	2
4.	M6x25L	4
5.	Washer, M6	4



2013-08-06

△ 新發行 REV. DESCRIPTION 1-6 ±0.1 DRN. 6-30 ±0.2 DSN. 30-100 ±0.3 CKD. 100-300 ±0.4 APPD.		Berton BY DATE APPD. DATE	EGN NO. NONE
TOL. 30-100 ±0.3 CKD. 100-300 ±0.4 APPD.		NAME SA400/SA500 Kneepad assemble	UNIT mm SCALE NONE

Bestcare Medical CO., LTD.

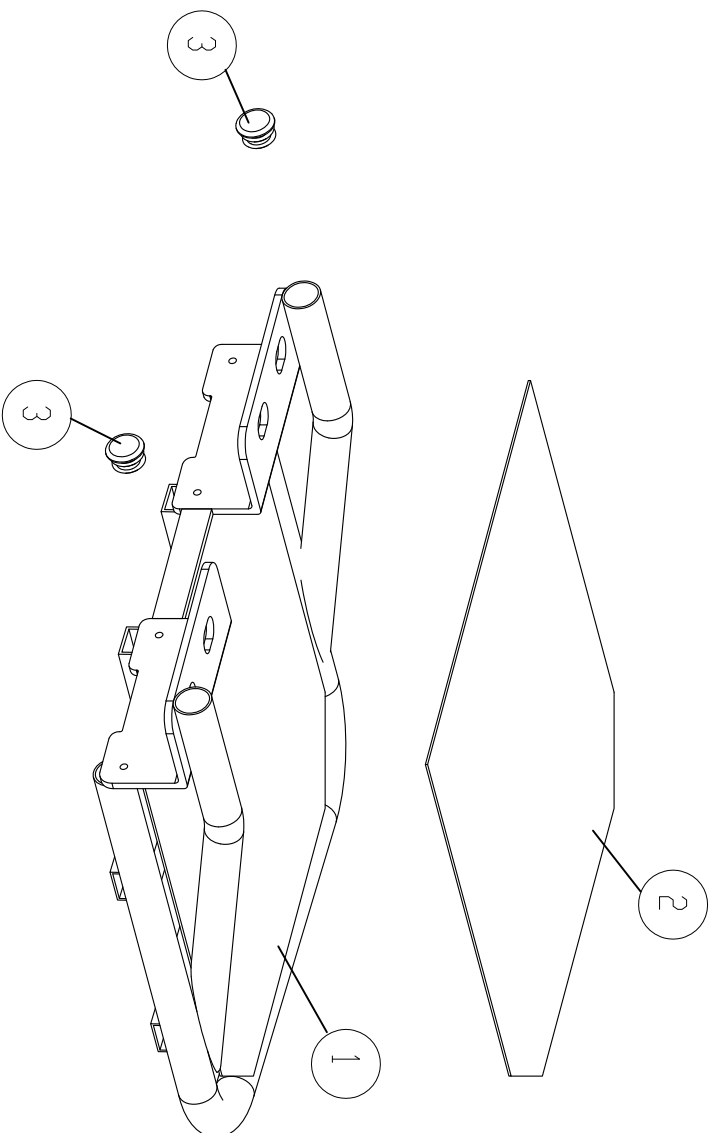
DWG. NO. Explosion chart

REV.	0
SHEET	1/1



# SA400/SA500 Footrest assemble explosion chart

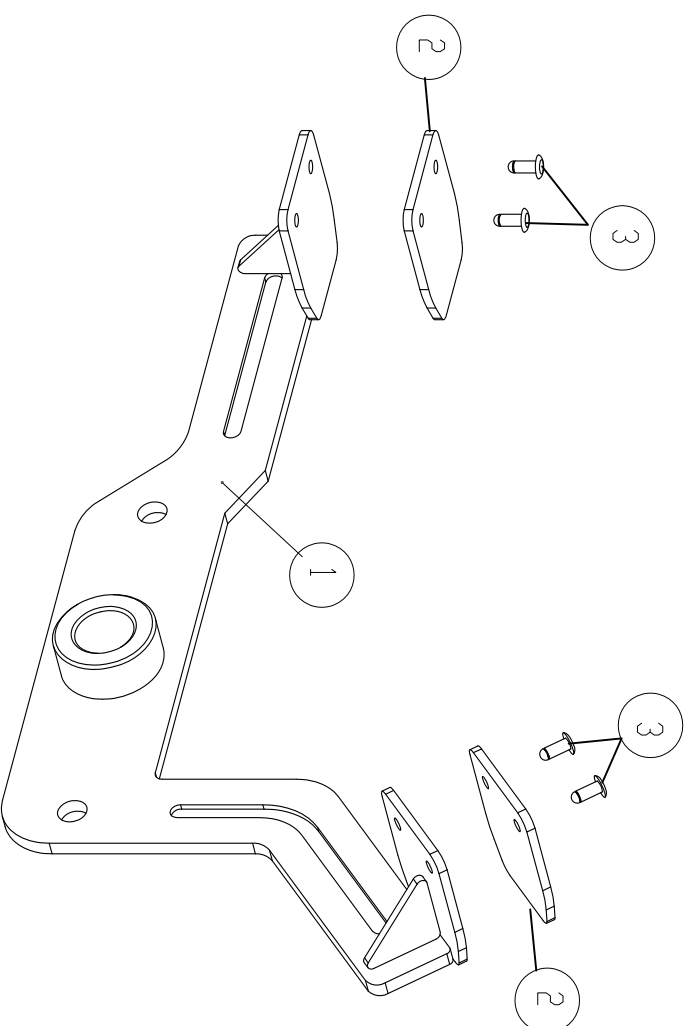
1.	Footrest	1
2.	Slip sticker skin	1
3.	Cap, 1"	2



2013-08-06

新發行		Berton			
REV.	DESCRIPTION	BY	DATE	APPD.	DATE
1-6	±0.1	DRN.			
6-30	±0.2	DSN.			
30-100	±0.3	CKD.			
100-300	±0.4	APPD.			
TOL.		NAME	SA400/SA500		
		Footrest assemble	NONE		
		DWG. NO.	Explosion chart		
Bestcare Medical CO., LTD.		UNIT	mm		
		SCALE	NONE		
		REV.	0		
		SHEET	1/1		

# Adjusting pedal assemble explosion chart



1	Adjusting pedal frame	1
2	Slip pedal	2
3	Riviet	4

2013-08-06

新發行		REV.	DESCRIPTION	BY	DATE	APPD.	DATE	EQN NO.	
1-6	±0.1	DRN.		MATERIAL					
6-30	±0.2	DSN.		FINISH	NONE				
30-100	±0.3	CKD.		NAME	Adjusting pedal				
100-300	±0.4	APPD.		DWG. NO.	Explosion chart				
<b>Bestcare Medical CO., LTD.</b>				UNIT	mm	SCALE	NONE	REV.	0
				SHEET	1/1				

