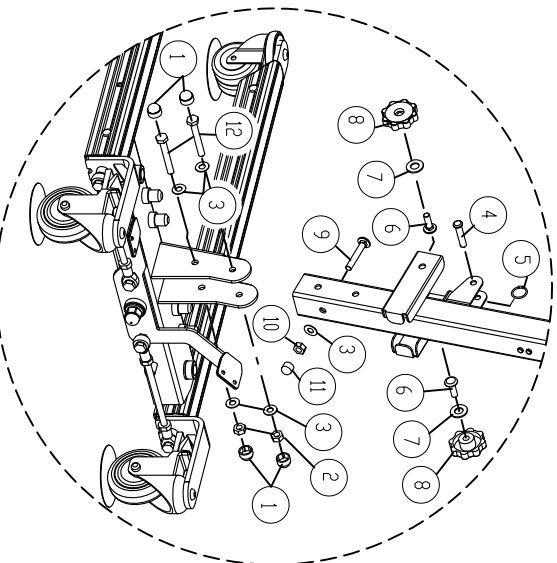
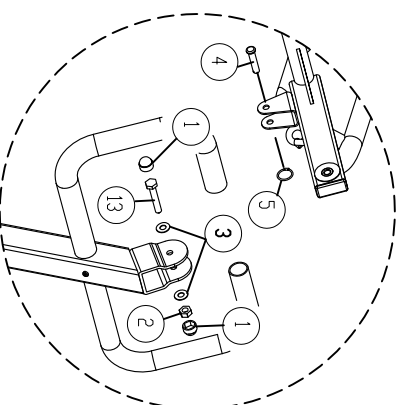
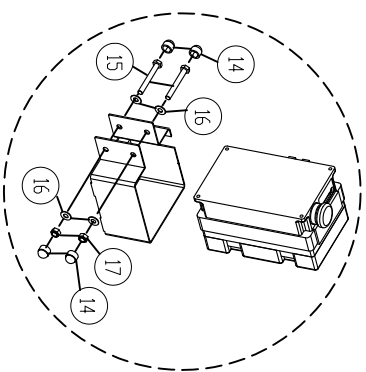


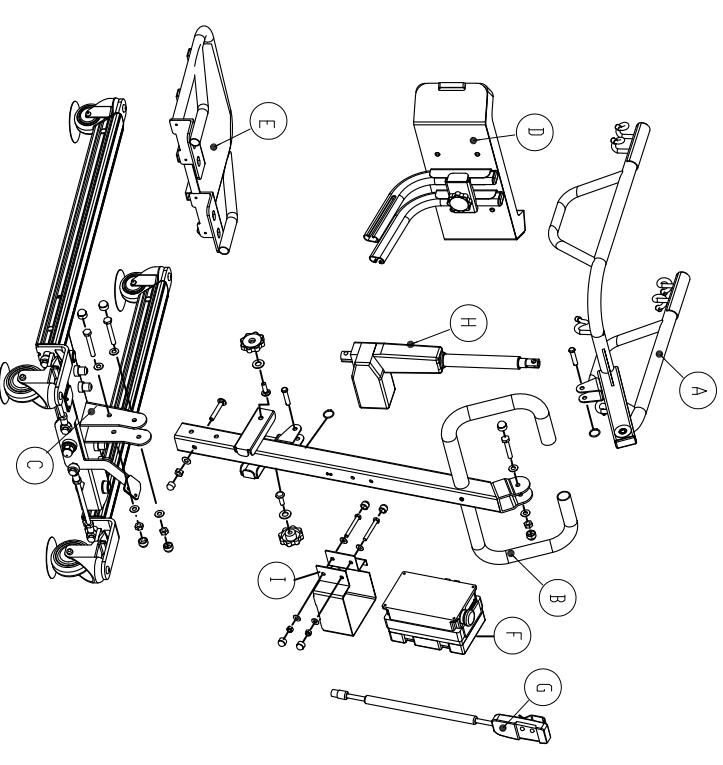
SA400EL assemble explosion chart

Scale: 1.5:1



1.	Cap, M10	6
2.	Nut, M10	3
3.	Washer, M10	7
4.	Pin, $\phi 48L$	2
5.	Ring	2
6.	Bolt, 3/8" 1-1/4"L	2
7.	Washer, M12	2
8.	Knob nut, 3/8"	2
9.	Bolt, 3/8" 2-3/4"L	1
10.	Nut, 3/8"	1
11.	Cap, 3/8"	1
12.	Bolt, M10x75L	2
13.	Bolt, M10x55L	1
14.	Cap, M8	4
15.	Bolt, M8x65L	2
16.	Washer, M8	4
17.	Nut, M8	2

A.	Boom assemble	1
B.	Mast assemble	1
C.	Boom assemble	1
D.	Knee pad assemble	1
E.	Footrest assemble	1
F.	Legacy control box	1
G.	Pedant	1
H.	Actuator	1
I.	Bracket, Control box	1



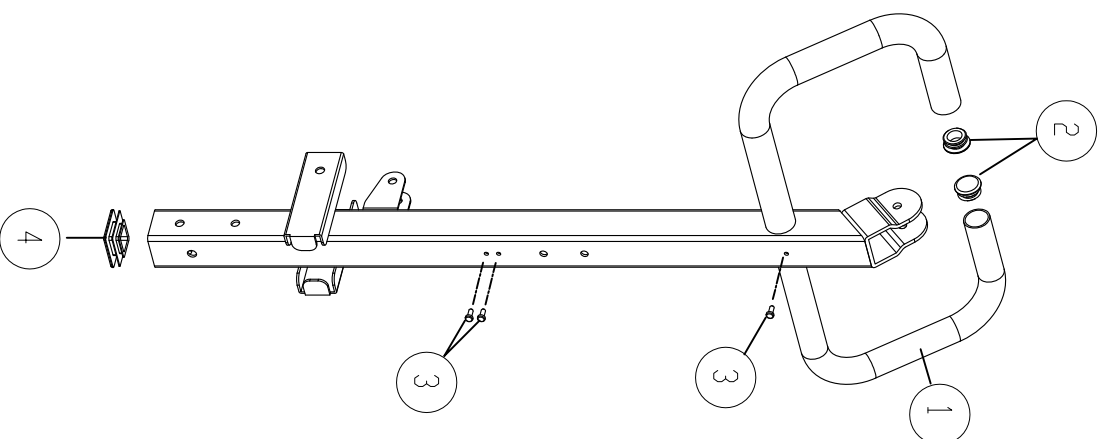
2013-08-06

△ 新發行 REV. 1-6 6-30 30-100 100-300	DESCRIPTION	Berton	BY	DATE	APPD.	DATE	EQUNO.
	TOL.	±0.1	DRN.				
	±0.2	DSN.					
	±0.3	CKD.					
	±0.4	APPD.					
NAME		SA400EL assemble					
DWG. NO.		Explosion chart					
UNIT		mm					
SCALE		NONE					
REV.		0					
SHEET		1/1					

Bestcare Medical CO., LTD.

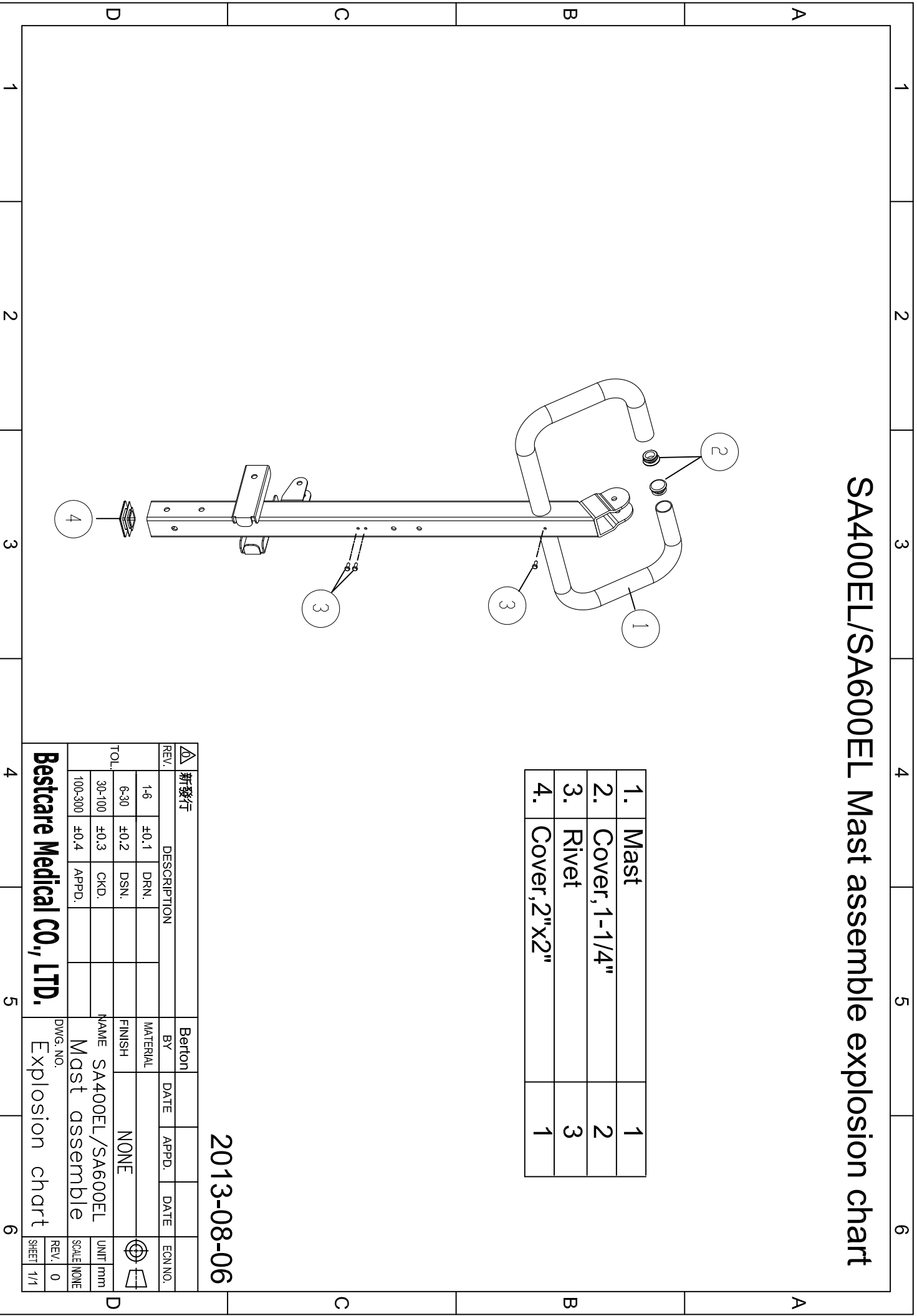
SA400EL/SA600EL Mast assemble explosion chart

1.	Mast	1
2.	Cover, 1-1/4"	2
3.	Rivet	3
4.	Cover, 2"x2"	1

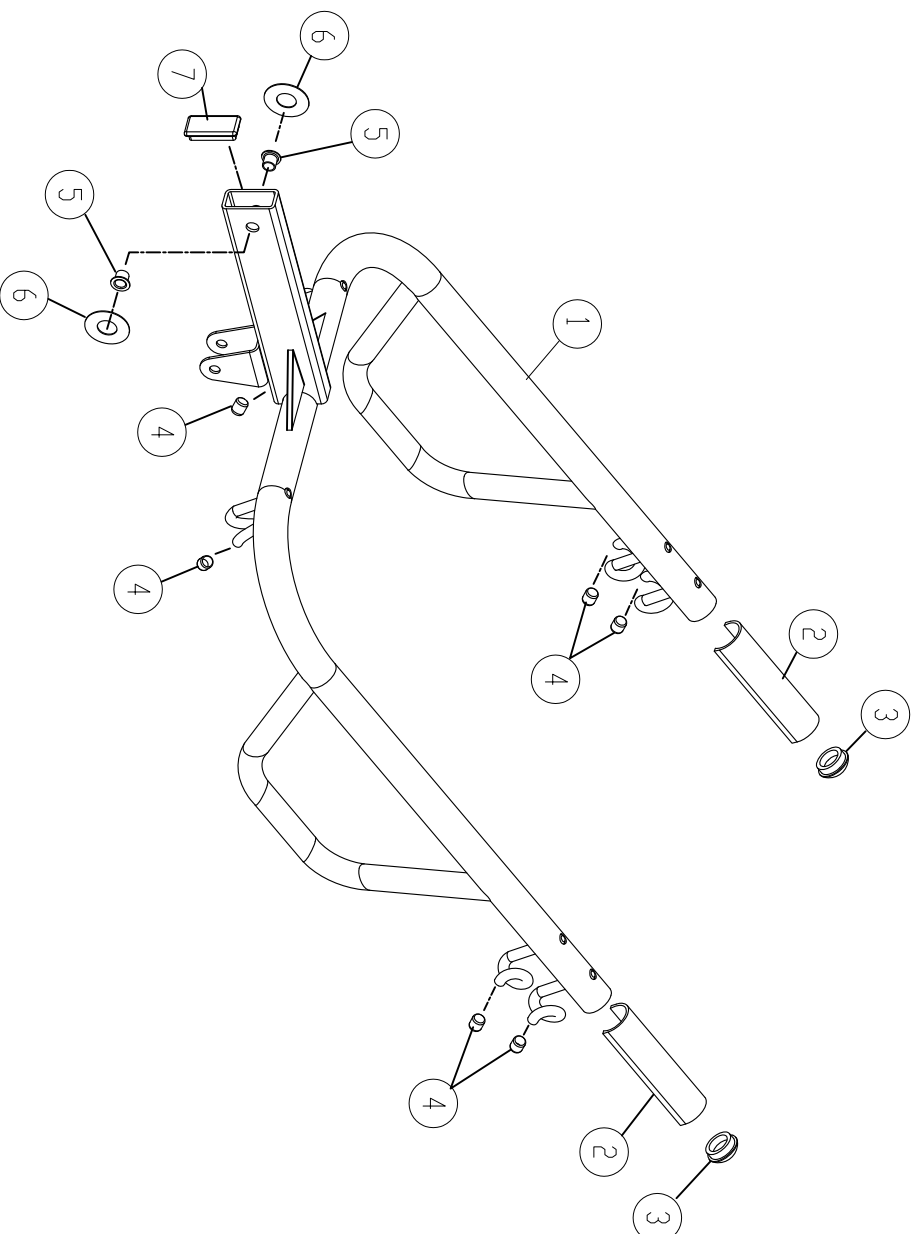


2013-08-06

△ 新發行 REV. DESCRIPTION 1-6 ±0.1 DRN. 6-30 ±0.2 DSN. 30-100 ±0.3 CKD. 100-300 ±0.4 APPD.		Berton BY DATE APPD. DATE	EGN NO. UNIT mm SCALE NONE
TOL. NAME SA400EL/SA600EL Mast assemble		FINISH NONE	DWG. NO. Explosion chart
Bestcare Medical CO., LTD.		SHEET 1/1	REV. 0



SA400/SA500 BOOM assemble explosion chart

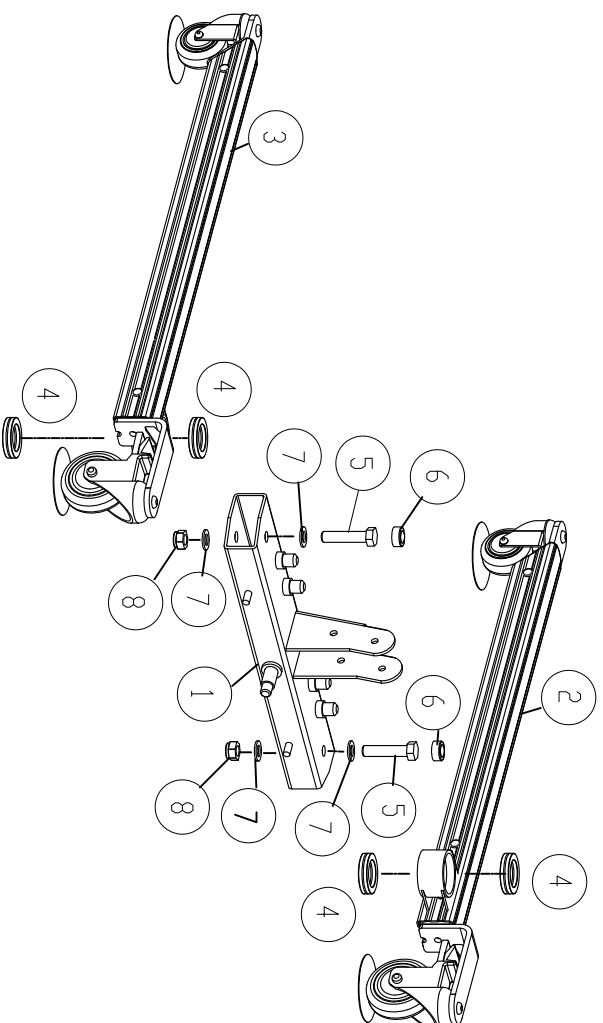


1.	BOOM	1
2.	Cover, Plastic	2
3.	Cover, 1-1/4"	2
4.	Cap. $\phi 3/8$ "	6
5.	Bushing	2
6.	Spacer	2
7.	Cover, 25x50	1

2013-08-06

		新發行		Berton	
REV.	DESCRIPTION	BY	DATE	APPD.	DATE
1-6	± 0.1	DRN.			
6-30	± 0.2	DSN.			
30-100	± 0.3	CKD.			
100-300	± 0.4	APPD.			
TOL.		NAME		UNIT	
		SA400/SA500		mm	
		BOOM assemble		SCALE	
				NONE	
Bestcare Medical CO., LTD.		DWG. NO.		REV.	
Explosion chart		Explosion chart		0	
				SHEET	
				1/1	

SA400 Base-1 assemble explosion chart

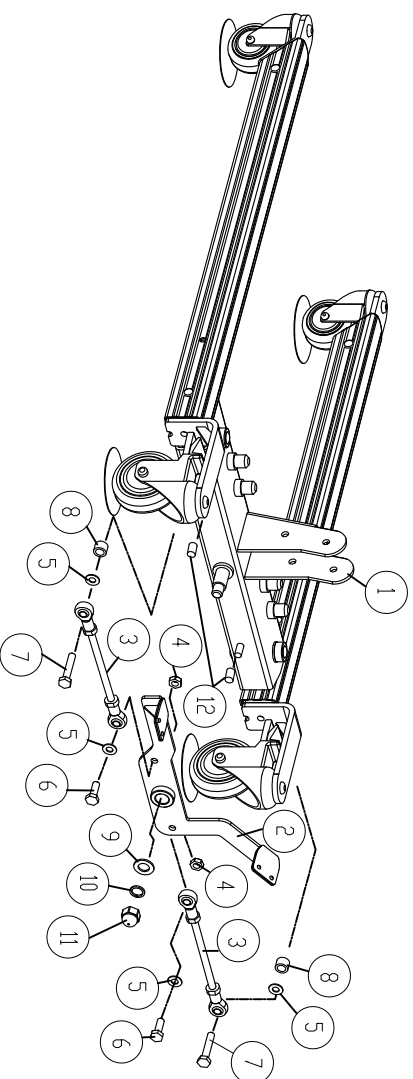


1.	Base	1
2.	Leg assemble, right	1
3.	Leg assemble, left	1
4.	Thrust ball bearing	4
5.	Bolt, M16x70L	2
6.	Cap, Rubber	2
7.	Washer, M16	4
8.	Nut, M16	2

2013-08-06

新發行		BY Berton		DATE		APPD.		DATE		EGN. NO.	
REV.	DESCRIPTION	MATERIAL	FINISH	NAME	UNIT	SCALE	REV.				
1-6	±0.1 DRN.		NONE	SA400	mm	NONE	0				
6-30	±0.2 DSN.			Base-1 assemble							
30-100	±0.3 CKD.										
100-300	±0.4 APPD.										
Bestcare Medical CO., LTD.		DWG. NO.		Explosion chart							
4		5		6							

SA400 Base-2 assemble explosion chart

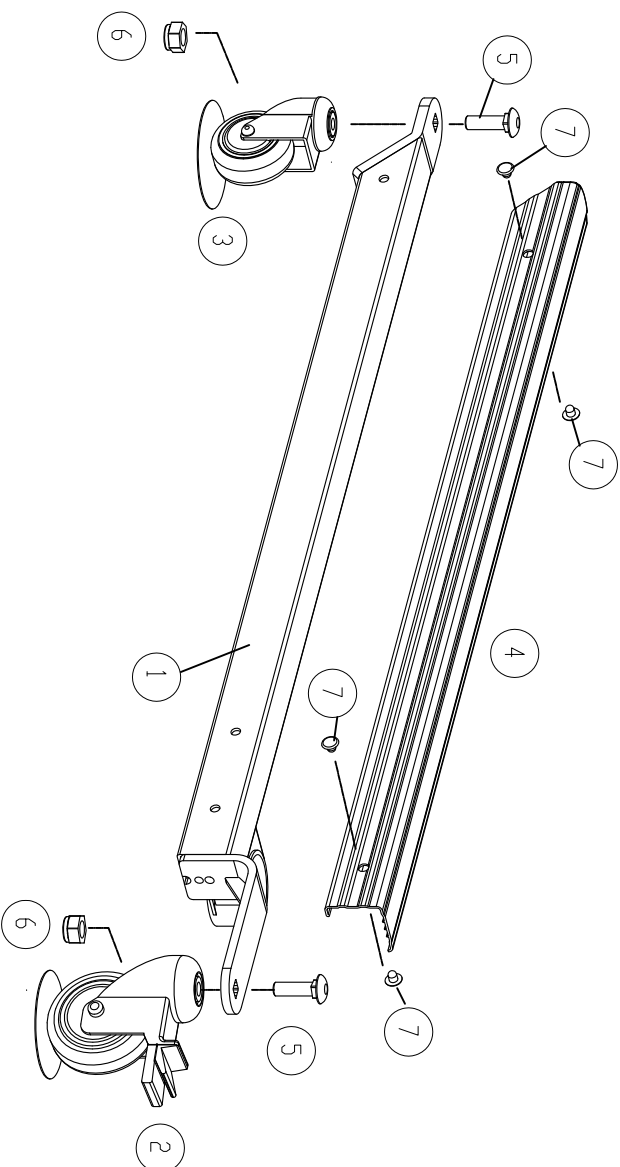


1.	Base assemble	1
2.	Adjusting Pedal	1
3.	Rod arm	2
4.	Nut, M10	2
5.	Washer, M10	4
6.	Bolt, M10x30L	2
7.	Bolt, M10x55L	2
8.	Tube, spacer	2
9.	Washer, $\phi 16$	1
10.	Spring washer, $\phi 16$	1
11.	Cap nut, M16	1
12.	Cap, 3/8"	1

2013-08-06

新發行		Berton	
REV.	DESCRIPTION	BY	DATE
1-6	± 0.1 DRN.		
6-30	± 0.2 DSN.		
30-100	± 0.3 CKD.		
100-300	± 0.4 APPD.		
TOL.		NAME	FINISH
		SA400/SA500/SA600	NONE
		Base-2 assemble	
		DWG. NO.	Explosion chart
Bestcare Medical CO., LTD.			
REV.	0	UNIT	mm
SHEET	1/1	SCALE	NONE

SA400 leg assemble-left explosion chart

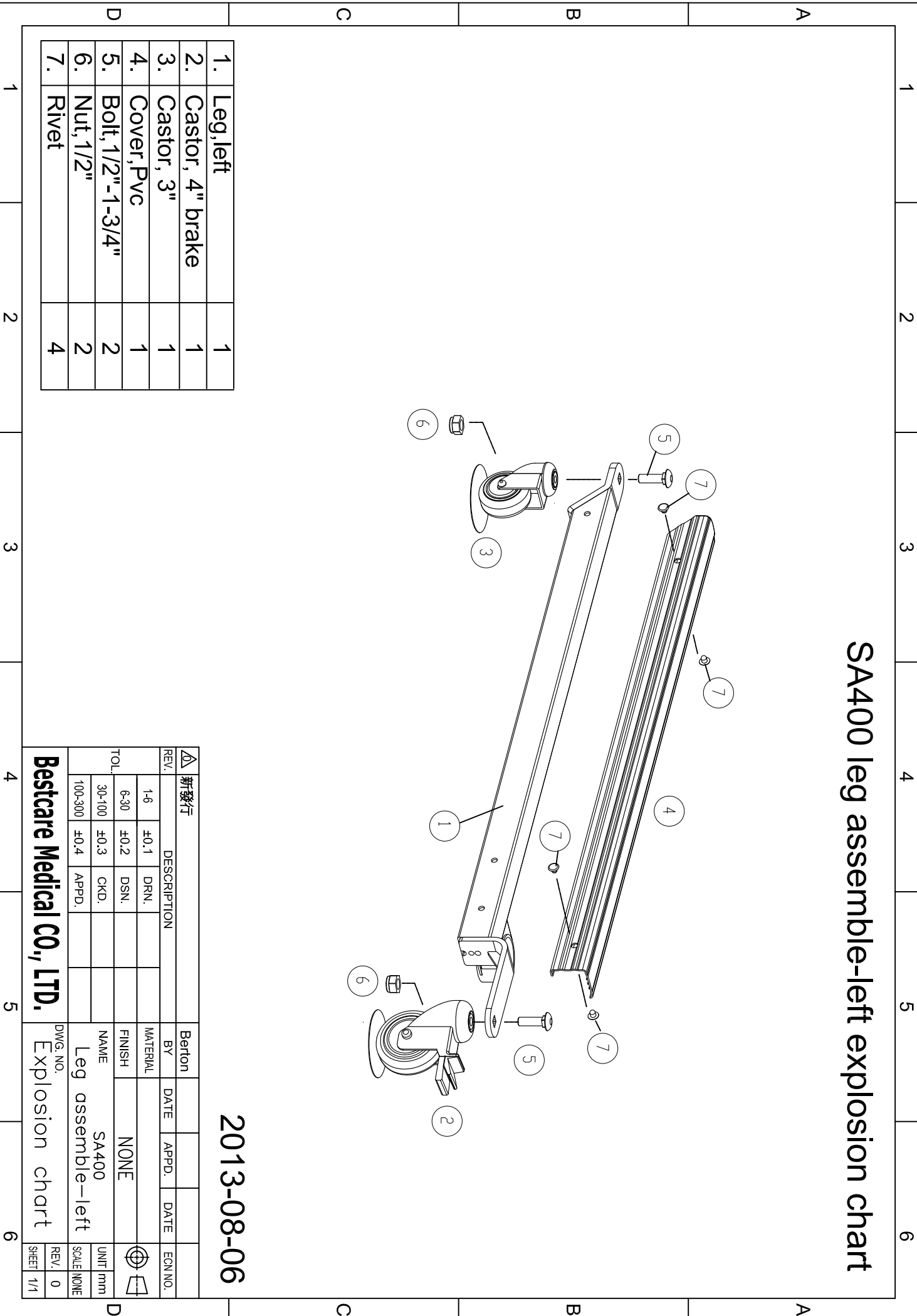


1.	Leg, left	1
2.	Castor, 4" brake	1
3.	Castor, 3"	1
4.	Cover, Pvc	1
5.	Bolt, 1/2"-1-3/4"	2
6.	Nut, 1/2"	2
7.	Rivet	4

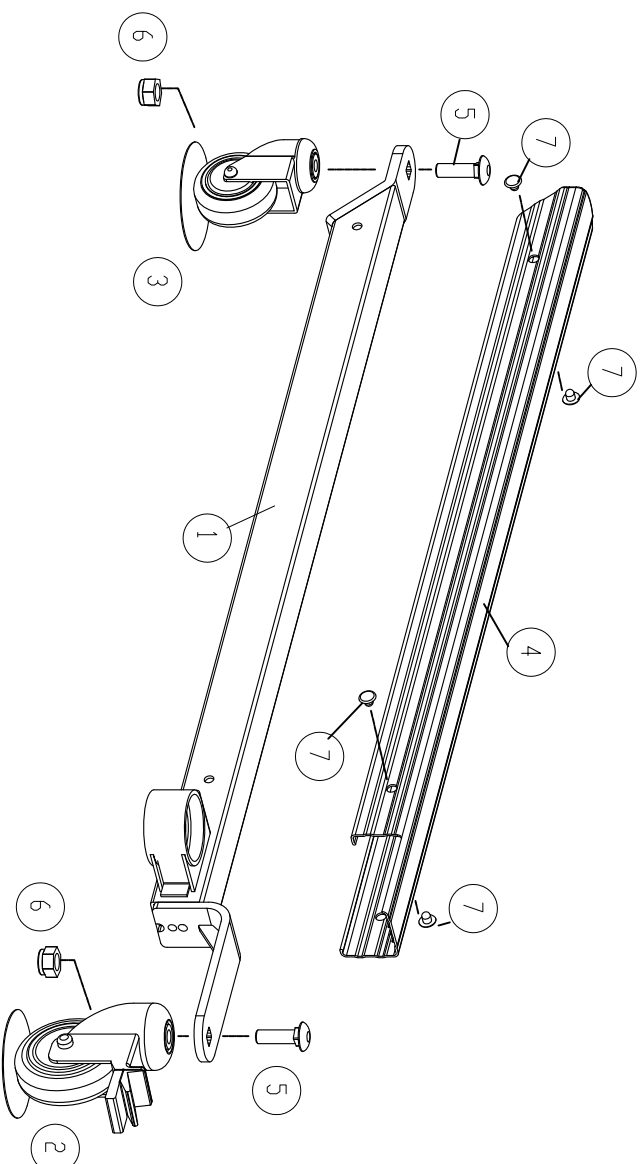
2013-08-06

△ 新發行	REV.	DESCRIPTION	Berton	DATE	APPD.	DATE	EGN NO.
	1-6	±0.1	DRN.				
TOL.	6-30	±0.2	DSN.				NONE
	30-100	±0.3	CKD.				
	100-300	±0.4	APPD.				
NAME			SA400				
FINISH			NONE				
MATERIAL							
BY			Berton				
DWG. NO.			Explosion chart				
NAME			Leg assemble-left				
SCALE			NONE				
REV.			0				
SHEET			1/1				

Bestcare Medical CO., LTD.



SA400 leg assemble-right explosion chart



1.	Leg, right	1
2.	Castor, 4" brake	1
3.	Castor, 3"	1
4.	Cover, Pvc	1
5.	Bolt, 1/2"-1-3/4"	2
6.	Nut, 1/2"	2
7.	Rivet	4

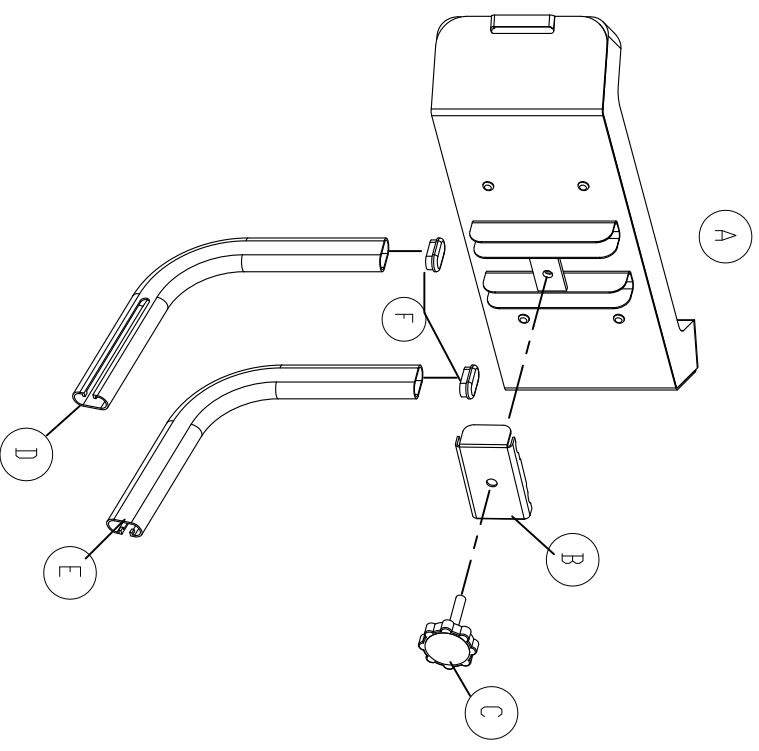
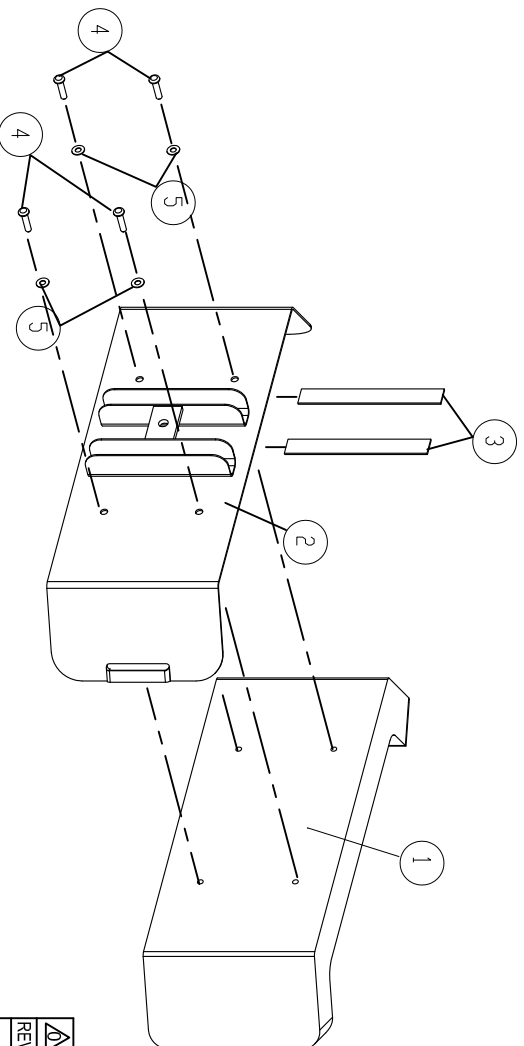
2013-08-06

△ 新發行 REV. DESCRIPTION 1-6 ±0.1 DRN. 6-30 ±0.2 DSN. 30-100 ±0.3 CKD. 100-300 ±0.4 APPD.		Berton BY DATE APPD. DATE NONE NAME SA400 Leg assemble-right		DWG. NO. Explosion chart EGN. NO. UNIT mm SCALE NONE	
Bestcare Medical CO., LTD.			REV. 0 SHEET 1/1		

SA400/SA500 Kneepad assemble explosion chart

A.	Kneepad assemble, Foam	1
B.	Bracket	1
C.	Bolt, Knob	1
D.	L Type, left	1
E.	L Type, right	1
F.	Cap, 20x40	2

1.	Foam	1
2.	Bracket, kneepad	1
3.	Slip sticker skin	2
4.	M6x25L	4
5.	Washer, M6	4



2013-08-06

△	新發行	DESCRIPTION	Berton	BY	DATE	APPD.	DATE	EGN NO.
REV.	1-6	±0.1	DRN.					
	6-30	±0.2	DSN.					
TOL.	30-100	±0.3	CKD.					
	100-300	±0.4	APPD.					
			NAME	SA400/SA500				
			FINISH	NONE				
			UNIT	mm				
			SCALE	NONE				

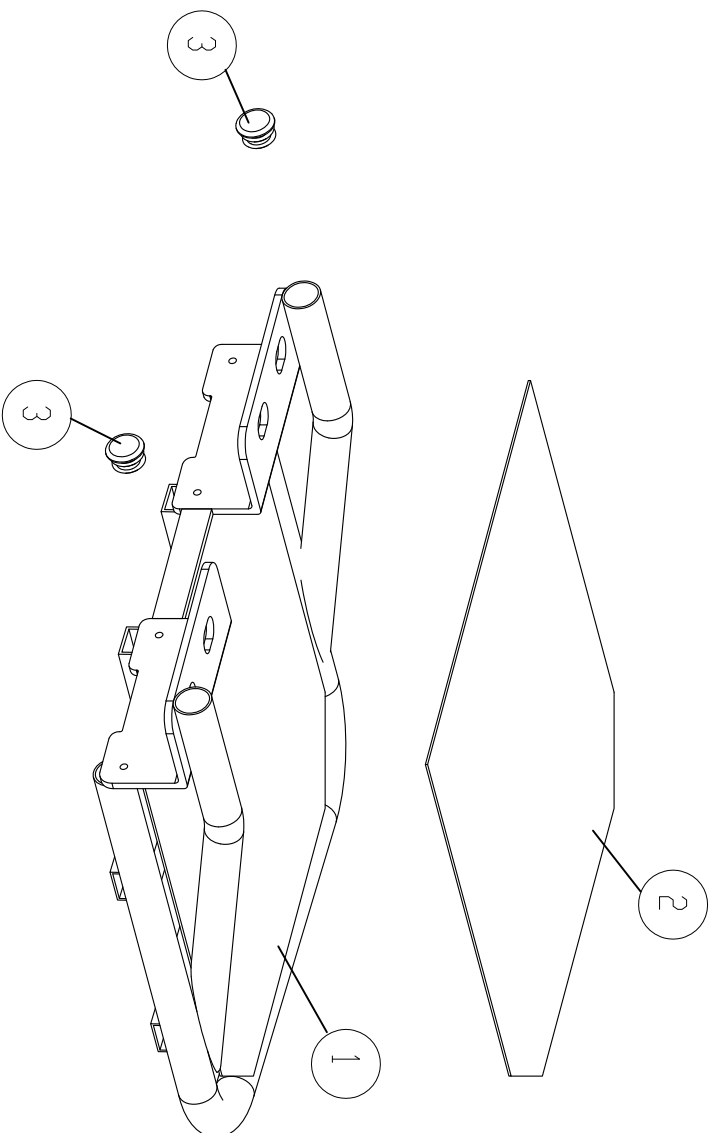
Bestcare Medical CO., LTD.

DWG. NO. Explosion chart

REV.	0
SHEET	1/1

SA400/SA500 Footrest assemble explosion chart

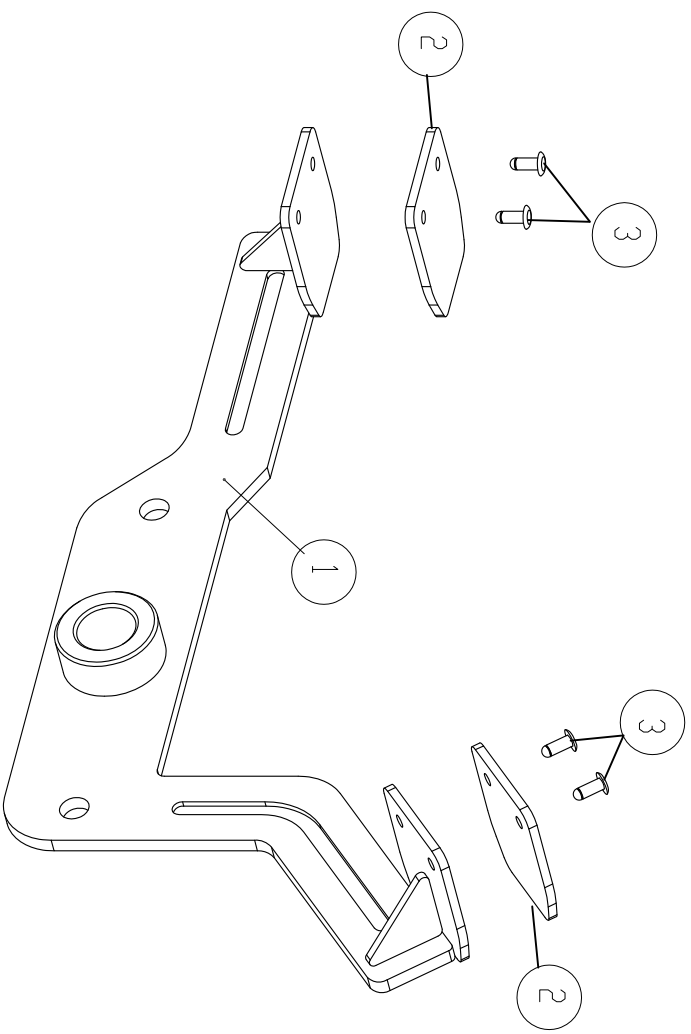
1.	Footrest	1
2.	Slip sticker skin	1
3.	Cap, 1"	2



2013-08-06

新發行		Berton			
REV.	DESCRIPTION	BY	DATE	APPD.	DATE
1-6	±0.1	DRN.			
6-30	±0.2	DSN.			
30-100	±0.3	CKD.			
100-300	±0.4	APPD.			
TOL.		NAME	SA400/SA500		
		FINISH	NONE		
		UNIT	mm		
		SCALE	NONE		
Bestcare Medical CO., LTD.		DWG. NO.	Explosion chart		
		REV.	0		
		SHEET	1/1		

Adjusting pedal assemble explosion chart



1	Adjusting pedal frame	1
2	Slip pedal	2
3	Riviet	4

2013-08-06

新發行		REV.	DESCRIPTION	BY	DATE	APPD.	DATE	EQN NO.	
1-6	±0.1	DRN.		MATERIAL					
6-30	±0.2	DSN.		FINISH	NONE				
30-100	±0.3	CKD.		NAME	Adjusting pedal				
100-300	±0.4	APPD.		DWG. NO.	Explosion chart				
Bestcare Medical CO., LTD.				UNIT	mm	SCALE	NONE	REV.	0
				SHEET	1/1				