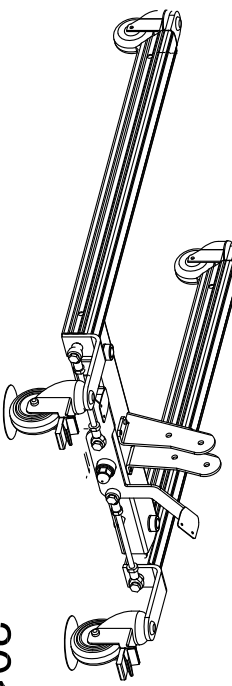
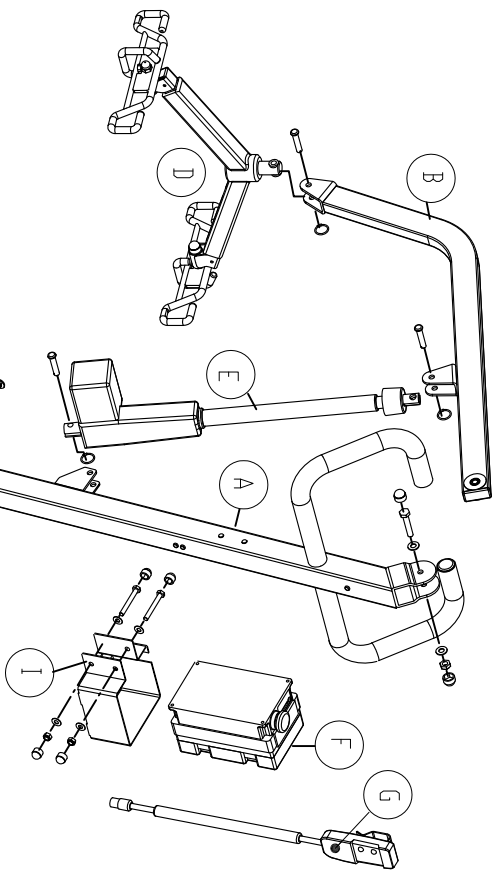
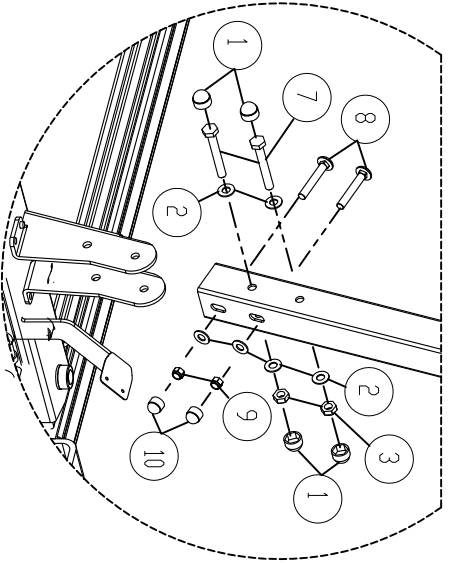
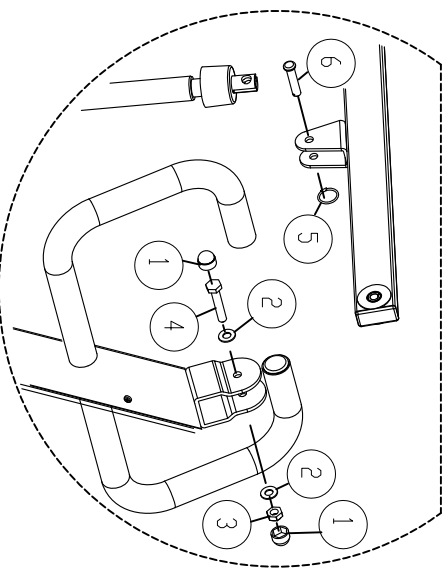
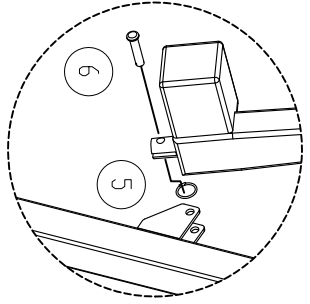
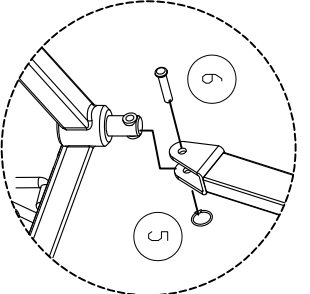
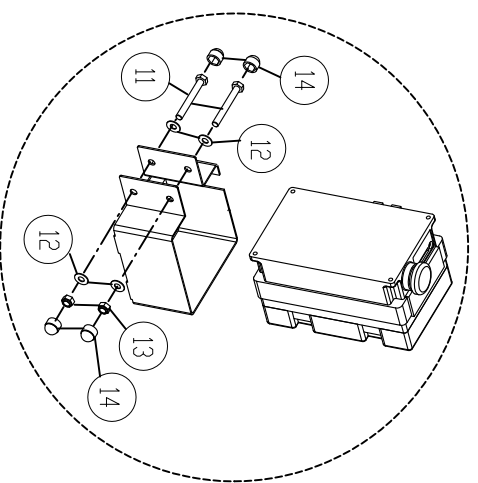


# PL400EL assemble explosion chart



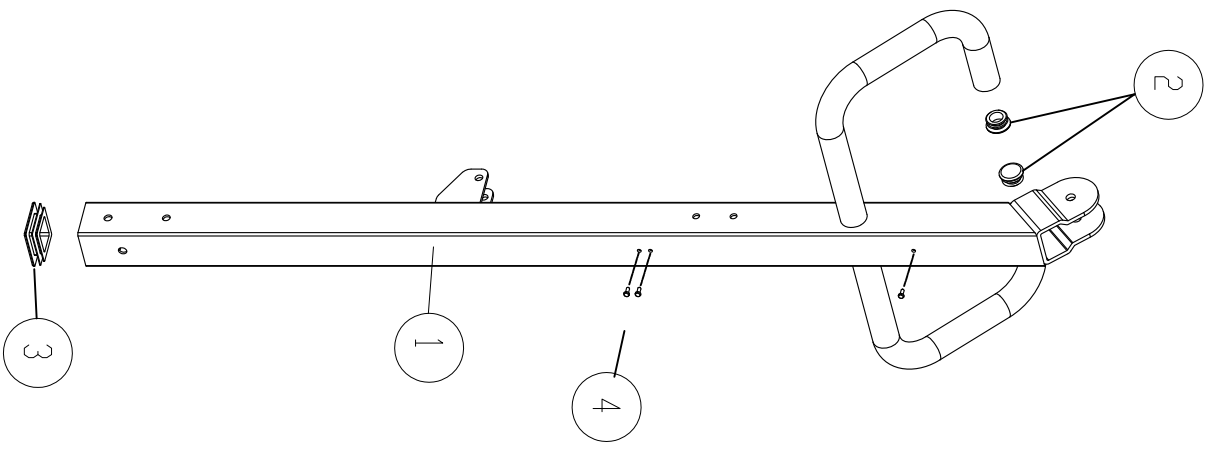
1.	Cap, M10	6
2.	Washer, M10	8
3.	Nut, M10	3
4.	Bolt, M10x65L	1
5.	Ring	3
6.	Pin, $\phi$ 48L	3
7.	Bolt, M10x75L	2
8.	Bolt, 3/8" 2-3/4"L	2
9.	Nut, 3/8"	2
10.	Cap, 3/8"	2
11.	M8x65L	2
12.	Washer, M8	4
13.	Nut, M8	2
14.	Cap, M8	4

A.	Mast assemble	1
B.	BOOM assemble	1
C.	Base assemble	1
D.	Spreader bar assemble	1
E.	Actuator	1
F.	Legacy control box	1
G.	Pedant	1
I.	Bracket, Control box	1

2013-08-08

△ 新發行	REV.	DESCRIPTION	BY	DATE	APPD.	DATE	EGN NO.
	1-6	$\pm 0.1$	DRN.				
	6-30	$\pm 0.2$	DSN.				
	30-100	$\pm 0.3$	CKD.				
	100-300	$\pm 0.4$	APPD.				
NAME			PL400EL assemble				
DWG. NO.			Explosion chart				
Bestcare Medical CO., LTD.							SCALE NONE
							UNIT mm
							REV. 0
							SHEET 1/1

# PL400EL Mast assemble explosion chart

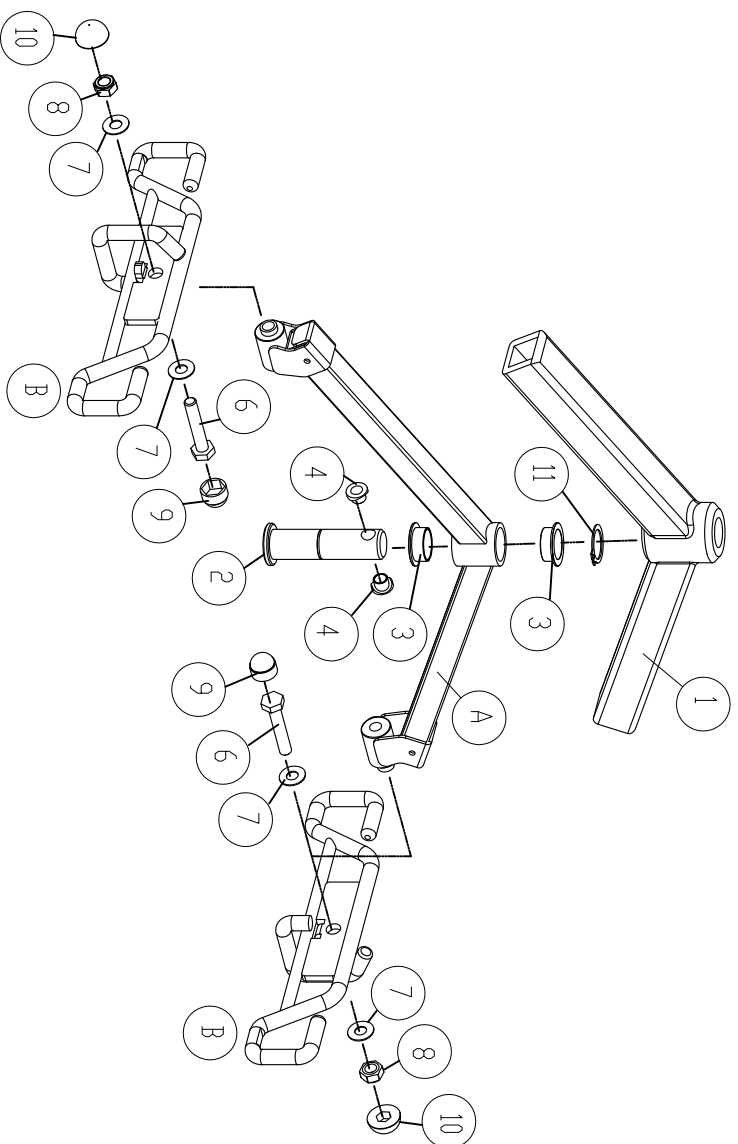


1.	Mast	1
2.	Cover, 1-1/4"	2
3.	Cap, 50x50	1
4.	Cover, plastic	3

2013-08-08

新發行		Berton	DATE	APPD.	DATE	EGN NO.
REV.	DESCRIPTION	BY	DATE	APPD.	DATE	EGN NO.
1-6	±0.1	DRN.				
6-30	±0.2	DSN.				NONE
30-100	±0.3	CKD.				
100-300	±0.4	APPD.				
<b>Bestcare Medical CO., LTD.</b> Explosion chart		NAME	PL400EL Mast assemble			
DWG. NO.		Mast assemble				
SHEET 1/1		UNIT	mm			
REV. 0		SCALE	NONE			

# MDS400EL/PL400EL spreader bar assemble explosion chart

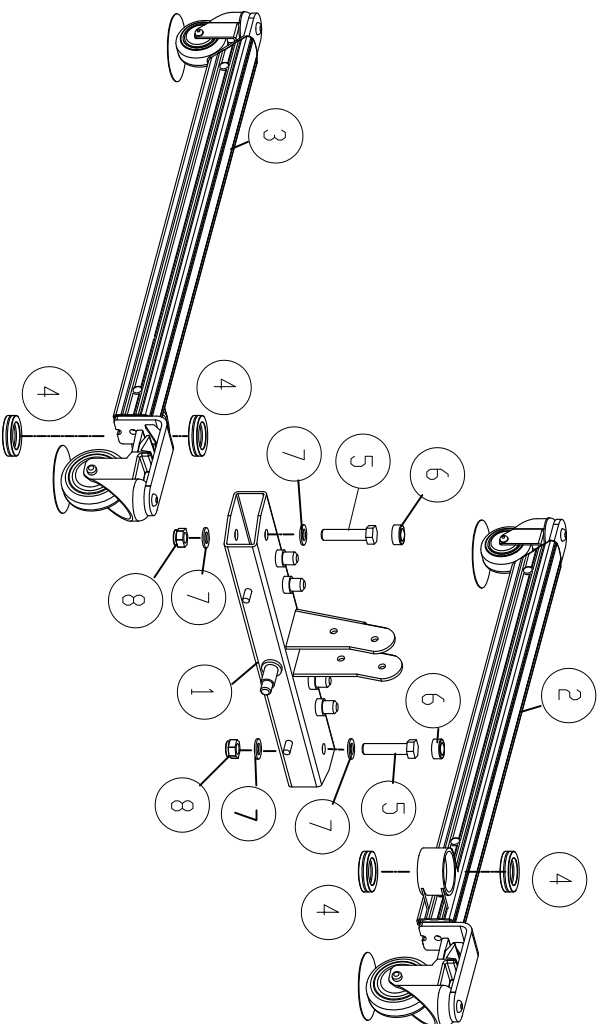


A.	Frame,spreader bar	1
B.	Hook, Two	2
1.	Foam, Molding	1
2.	Shaft	1
3.	Bushing, T type	2
4.	Brushing, Nylon	2
5.	Foam, Tube	2
6.	Bolt, M10	2
7.	Washer, M10	4
8.	Nut, M10	2
9.	Cap, M10	2
10.	Cap, M10 half cricle	2
11.	Beveled, external	1

2013-08-08

新發行		DESCRIPTION	BY	DATE	APPD.	DATE	EGN NO.
REV.	1-6	±0.1	DRN.				
	6-30	±0.2	DSN.				NONE
TOL.	30-100	±0.3	CKD.				
	100-300	±0.4	APPD.				
<b>Bestcare Medical CO., LTD.</b>		NAME MDS400EL/PL400EL Spreader bar assemble		DWG. NO. Explosion chart		UNIT mm SCALE NONE	
						REV.	0
						SHEET	1/1

# MDS400EL/PL400EL Base-1 assemble explosion chart



1.	Base	1
2.	Leg assemble, right	1
3.	Leg assemble, left	1
4.	Thrust ball bearing	4
5.	Bolt, M16x70L	2
6.	Cap, Rubber	2
7.	Washer, M16	4
8.	Nut, M16	2

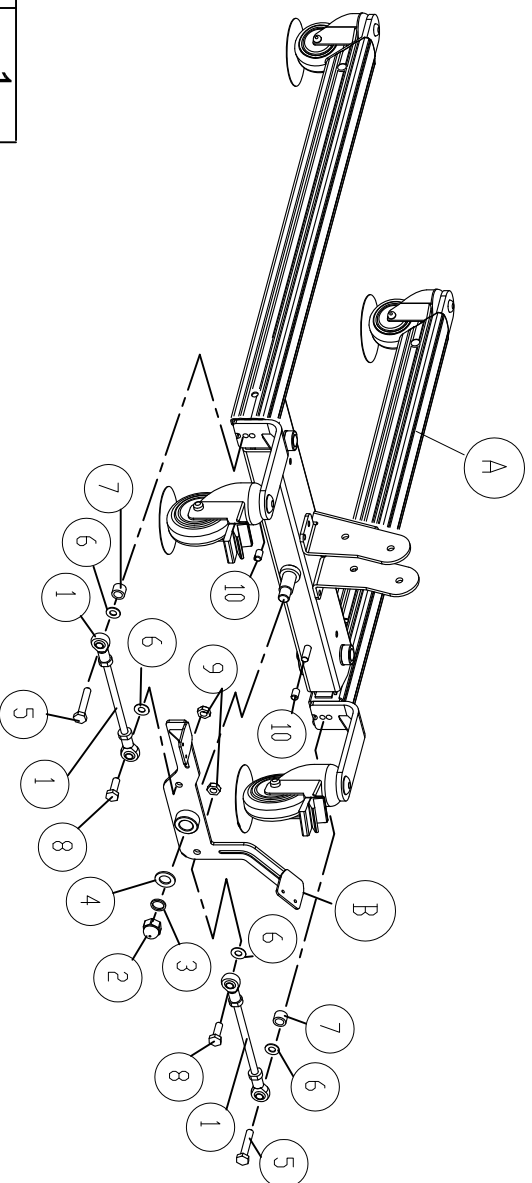
2013-08-06

REV.	DESCRIPTION	BY	DATE	APPD.	DATE	EGN. NO.
△	新發行	Berton				
1-6	±0.1 DRN.	MATERIAL				
6-30	±0.2 DSN.	FINISH			NONE	
30-100	±0.3 CKD.	NAME	MDS400EL/PL400EL			
100-300	±0.4 APPD.	Base-1 assemble	Base-1 assemble			
		DWG. NO.	Explosion chart			
		SCALE	NONE			
		UNIT	mm			
		REV.	0			
		SHEET	1/1			

**Bestcare Medical CO., LTD.**

Explosion chart

# MDS400EL/PL400EL Base-2 assemble explosion chart

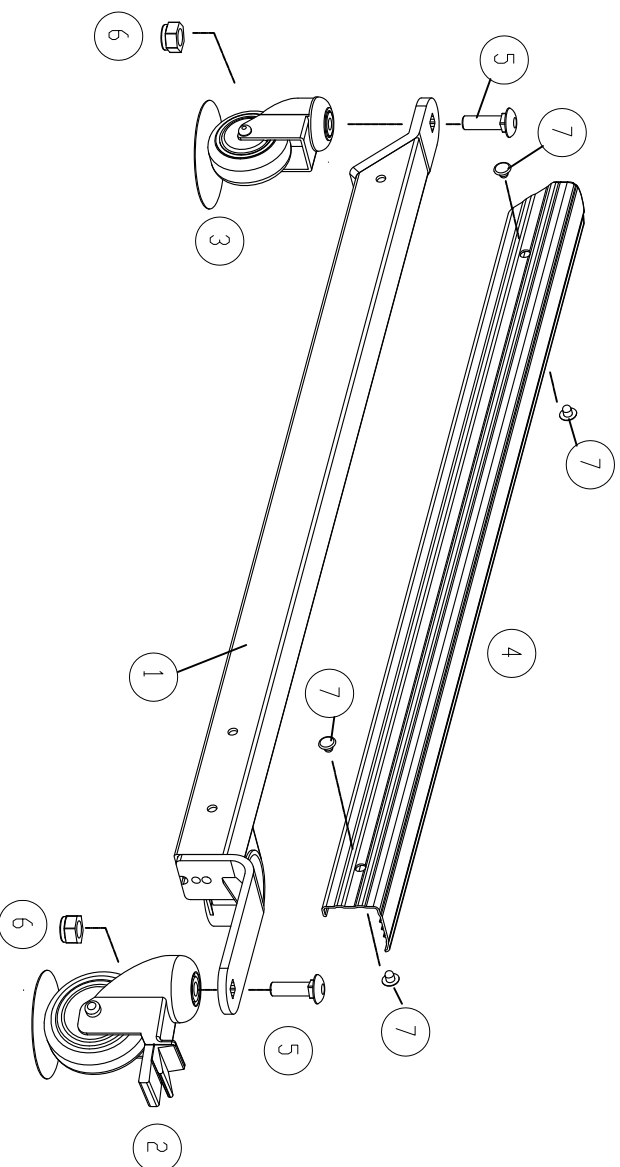


A.	Base assemble	1
B	Adjusting pedal	1
1.	Rod arm	2
2	Cap nut, M16	1
3.	Spring washer, $\phi 16$	1
4.	Washer, $\phi 16$	1
5	Bolt, M10x55L	2
6	Washer, M10	4
7.	Tube, spacer	2
8.	Bolt, M10x30L	2
9.	Nut, M10	2
10.	Cap, 3/8"	2

2013-08-06

新發行		Berton			
REV.	DESCRIPTION	BY	DATE	APPD.	DATE
1-6	$\pm 0.1$	DRN.			
6-30	$\pm 0.2$	DSN.			
30-100	$\pm 0.3$	CKD.			
100-300	$\pm 0.4$	APPD.			
TOL.		NAME MDS400EL/PL400EL		UNIT mm	
		Base-2 assemble		SCALE NONE	
<b>Bestcare Medical CO., LTD.</b>		DWG. NO.		REV. 0	
Explosion chart				SHEET 1/1	

# MDS400EL/PL400EL leg assemble-left explosion chart

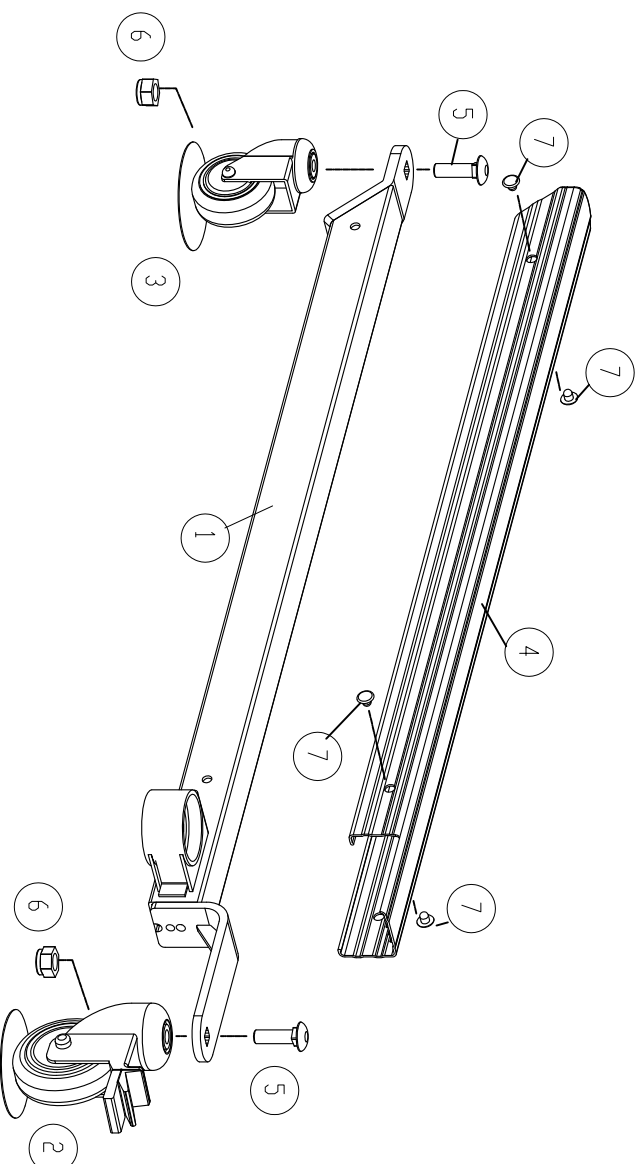


1.	Leg, left	1
2.	Castor, 4" brake	1
3.	Castor, 3"	1
4.	Cover, Pvc	1
5.	Bolt, 1/2"-1-3/4"	2
6.	Nut, 1/2"	2
7.	Rivet	4

2013-08-08

△ 新發行	REV.	DESCRIPTION	Berton	DATE	DATE	DATE	EGN NO.
	1-6	±0.1	DRN.				
TOL.	6-30	±0.2	DSN.				
	30-100	±0.3	CKD.				
	100-300	±0.4	APPD.				
<b>Bestcare Medical CO., LTD.</b>			DWG. NO. Explosion chart				
NAME MDS400EL/PL400EL Leg assemble-left			FINISH NONE				
UNIT mm			SCALE NONE				
REV. 0			SHEET 1/1				

# MDS400EL/PL400EL leg assemble-right explosion chart

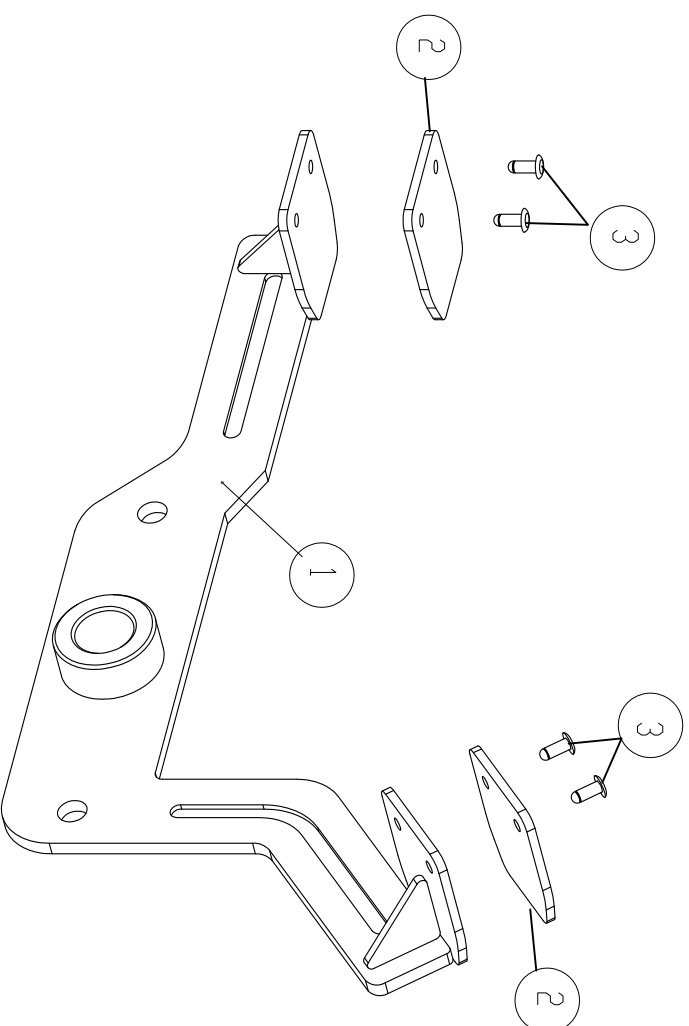


1.	Leg, right	1
2.	Castor, 4" brake	1
3.	Castor, 3"	1
4.	Cover, Pvc	1
5.	Bolt, 1/2"-1-3/4"	2
6.	Nut, 1/2"	2
7.	Rivet	4

2013-08-08

新發行		<b>Berton</b>		EGN NO.	
REV.	DESCRIPTION	BY	DATE	APPD.	DATE
1-6	±0.1	DRN.			
6-30	±0.2	DSN.			
30-100	±0.3	CKD.			
100-300	±0.4	APPD.			
TOL.		NAME	MDS400EL/PL400EL	UNIT	mm
		FINISH	NONE	SCALE	NONE
		DWG. NO.	Leg assemble-right	REV.	0
		EXPLOSION CHART		SHEET	1/1
<b>Bestcare Medical CO., LTD.</b>					

# Adjusting pedal assemble explosion chart



1	Adjusting pedal frame	1
2	Slip pedal	2
3	Riviet	4

2013-08-06

△ 新發行	REV.	DESCRIPTION				BY	DATE	APPD.	DATE	EQN NO.	
	1-6	±0.1	DRN.			MATERIAL					
	6-30	±0.2	DSN.			FINISH		NONE			
TOL.	30-100	±0.3	CKD.			NAME		Adjusting pedal			
	100-300	±0.4	APPD.			DWG. NO.		Explosion chart			
<b>Bestcare Medical CO., LTD.</b>											
						UNIT	mm	SCALE	NONE	REV.	0
						SHEET	1/1				

