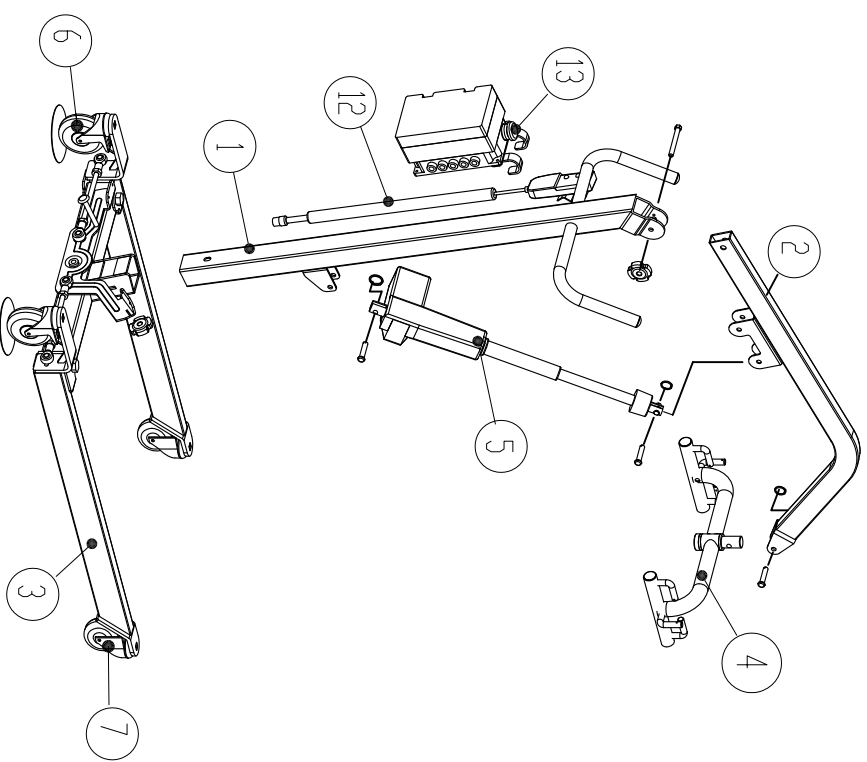
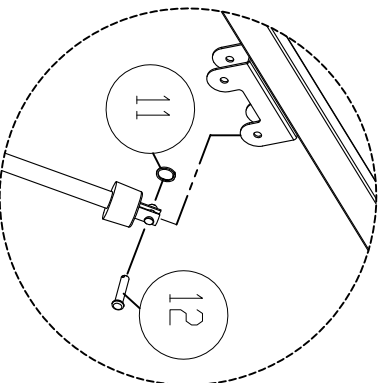
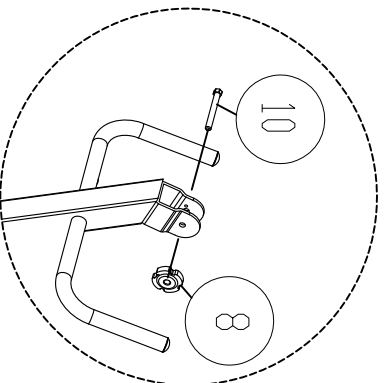
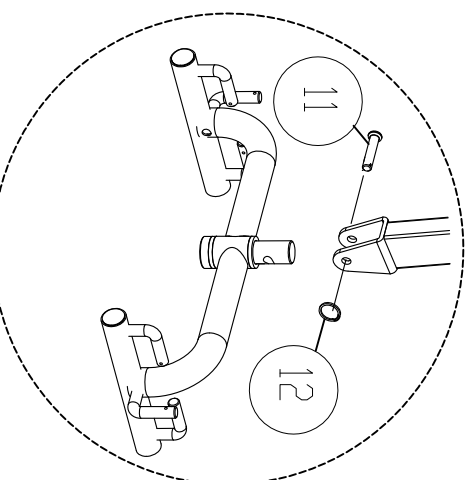
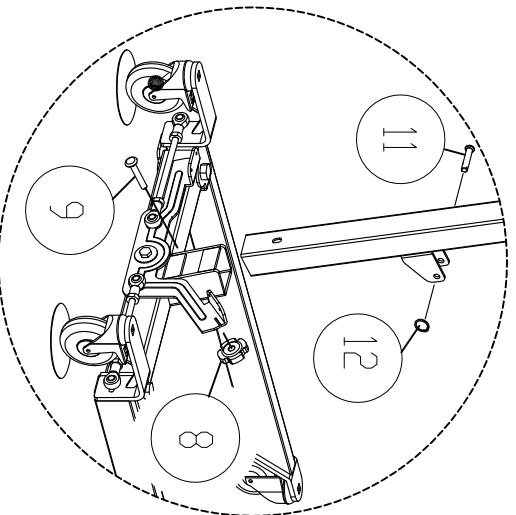


DPL-400EL assemble explosion chart

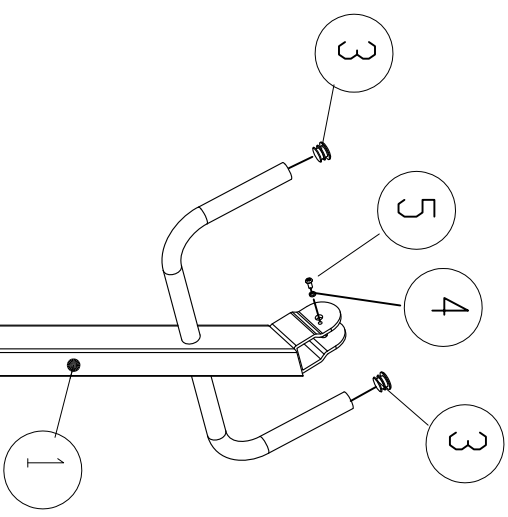


1.	Mast	1
2.	BOOM	1
3.	Base	1
4.	Spreader bar	1
5.	Actuator	1
6.	Rear castor with brake	2
7.	Front castor	2
8.	Carriage bolt, 3/8-3"	1
9.	Plastic Nut, 3/8	1
10.	Bolt, 3/8-2 1/2	1
11.	Ring,	3
12.	Pin	3
13.	Legacy control box	1
14.	Pedant	1

2013-08-07

REV.	DESCRIPTION	BY	DATE	APPD.	DATE	EQN NO.
1-6	±0.1	DRN.				
6-30	±0.2	DSN.				
30-100	±0.3	CKD.	Berton			
100-300	±0.4	APPD.	Berton			
TOL.		NAME		UNIT		SCALE
		DPL-400EL assemble		mm		NONE
Bestcare Medical CO., LTD.			DWG. NO.			
			Explosion chart			
REV. 0						SHEET 1/1

PL400H/DPL400EL Mast assemble explosion chart

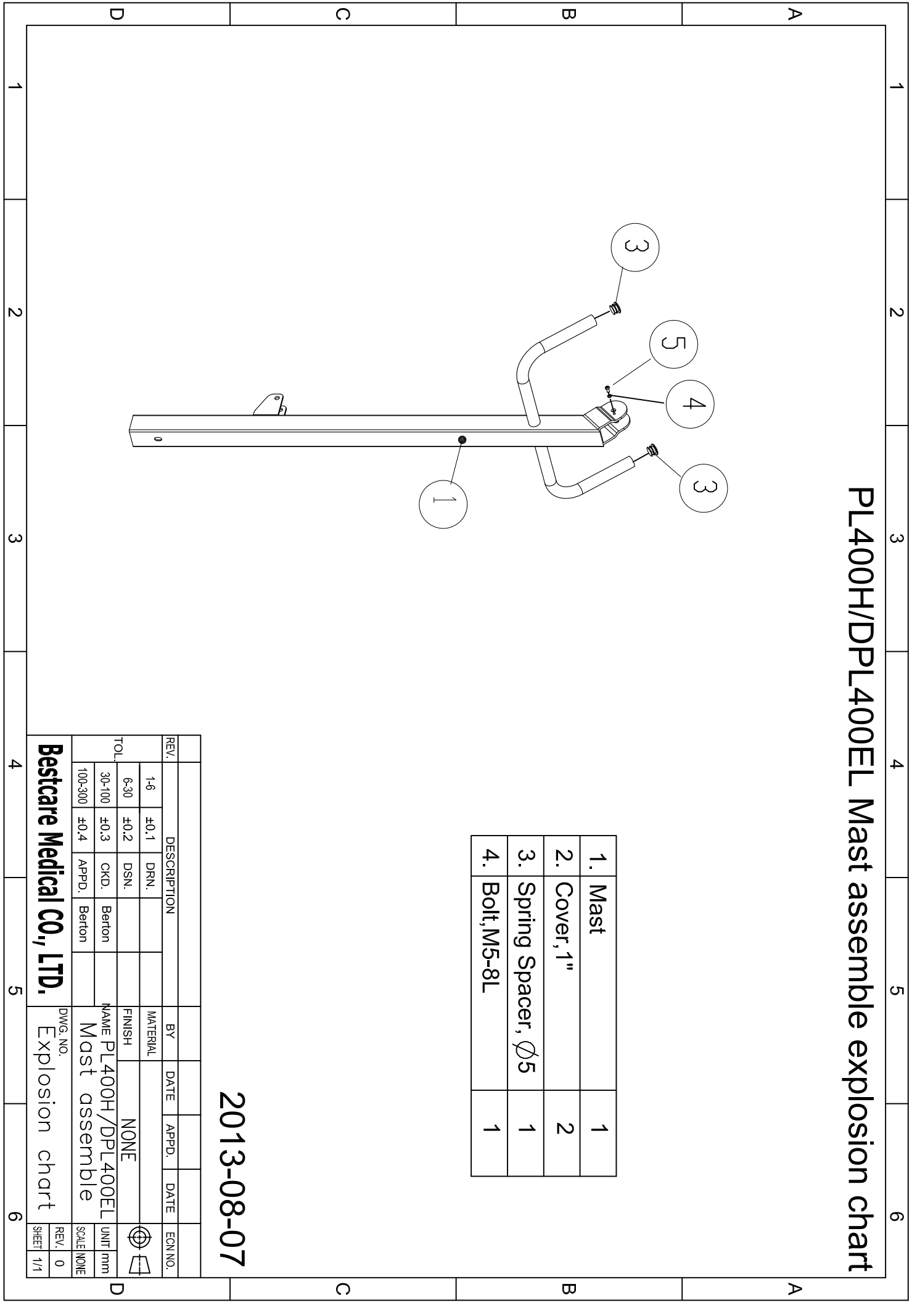


1.	Mast	1
2.	Cover, 1"	2
3.	Spring Spacer, $\varnothing 5$	1
4.	Bolt, M5-8L	1

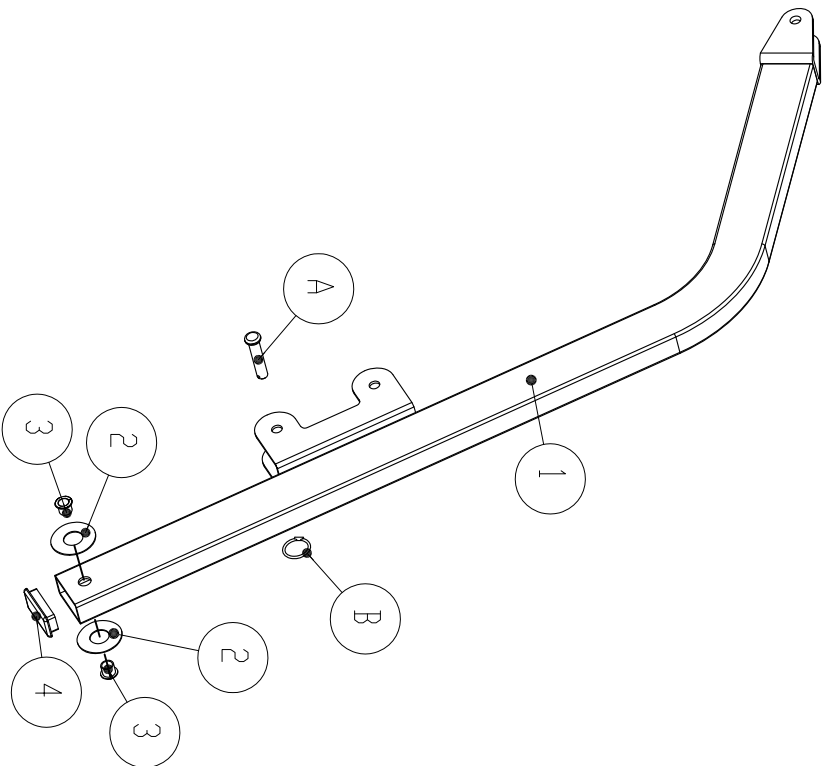
2013-08-07

REV.	DESCRIPTION	BY	DATE	APPD.	DATE	EGN. NO.
1-6	$\pm 0,1$ DRN.					
6-30	$\pm 0,2$ DSN.					
30-100	$\pm 0,3$ CKD.	Berton				
100-300	$\pm 0,4$ APPD.	Berton				
TOL.		NAME PL400H/DPL400EL		FINISH NONE		UNIT mm
		Mast assemble		SCALE NONE		REV. 0
		DWG. NO. Explosion chart				SHEET 1/1

Bestcare Medical CO., LTD.



PL400H/DPL400EL BOOM assemble explosion chart



1.	BOOM	1
2.	Washer, plastic	2
3.	Brush, $\varnothing 10$	2
4.	Cover, 25x50	1

2013-08-07

REV.	DESCRIPTION	BY	DATE	APPD.	DATE	EQN NO.
1-6	$\pm 0,1$ DRN.					
6-30	$\pm 0,2$ DSN.					
30-100	$\pm 0,3$ CKD.	Berton				
100-300	$\pm 0,4$ APPD.	Berton				

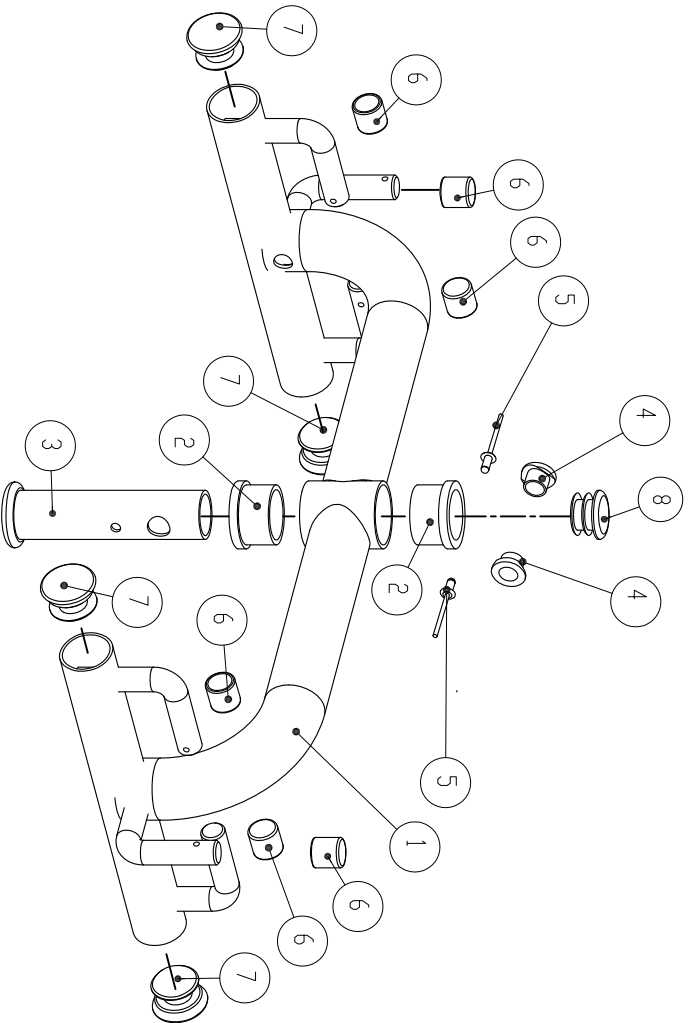
Bestcare Medical CO, LTD.		DWG. NO. Explosion chart	
NAME PL400H/DPL400EL Boom assemble		FINISH NONE	
TOL. 30-100 $\pm 0,3$ CKD. 100-300 $\pm 0,4$ APPD.		UNIT mm SCALE NONE	

Bestcare Medical CO, LTD.

DWG. NO.
Explosion chart

REV. 0
SHEET 1/1

PL400H/DPL400EL Spreader bar assemble explosion chart

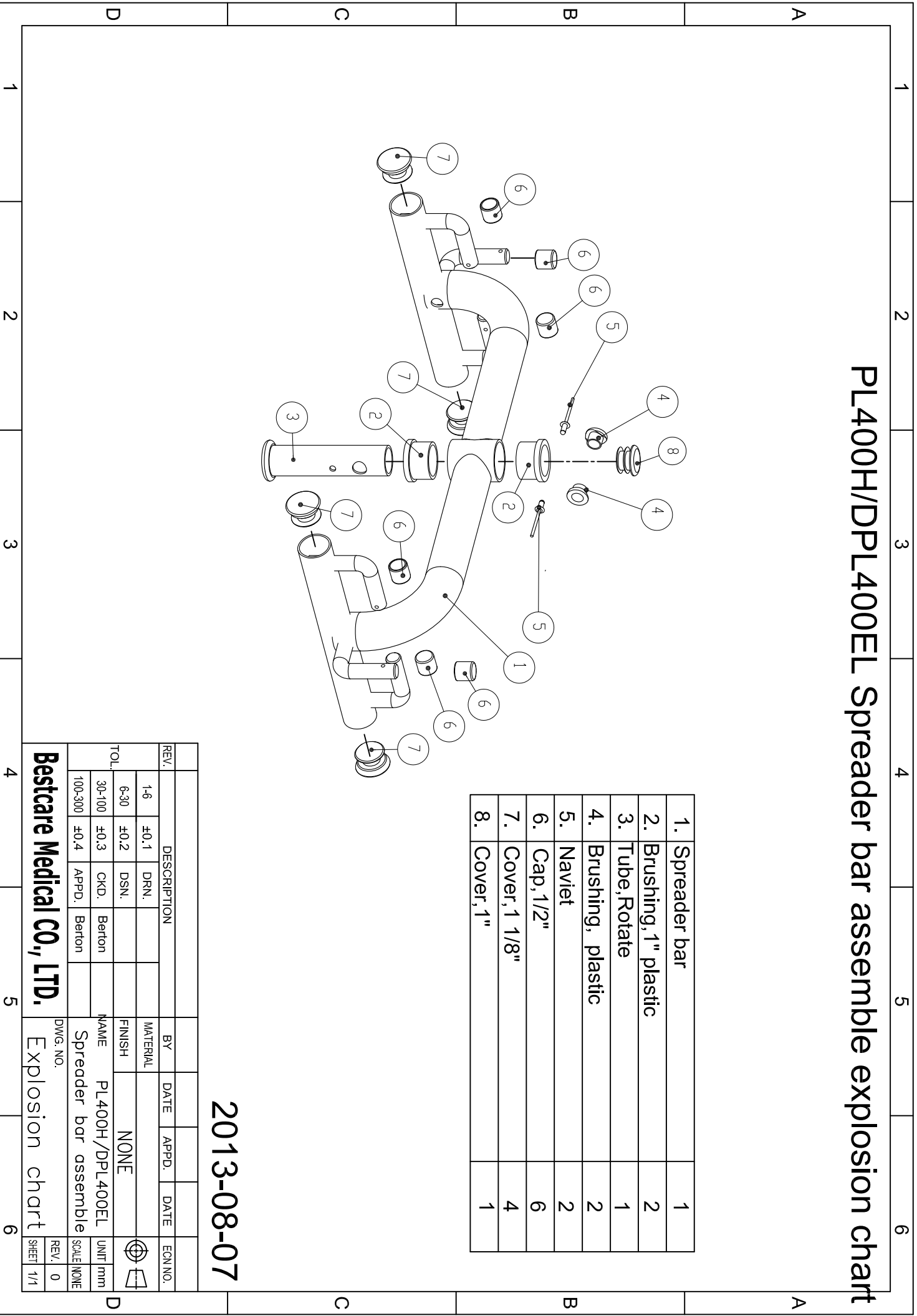


1.	Spreader bar	1
2.	Brushing, 1" plastic	2
3.	Tube, Rotate	1
4.	Brushing, plastic	2
5.	Navjet	2
6.	Cap, 1/2"	6
7.	Cover, 1 1/8"	4
8.	Cover, 1"	1

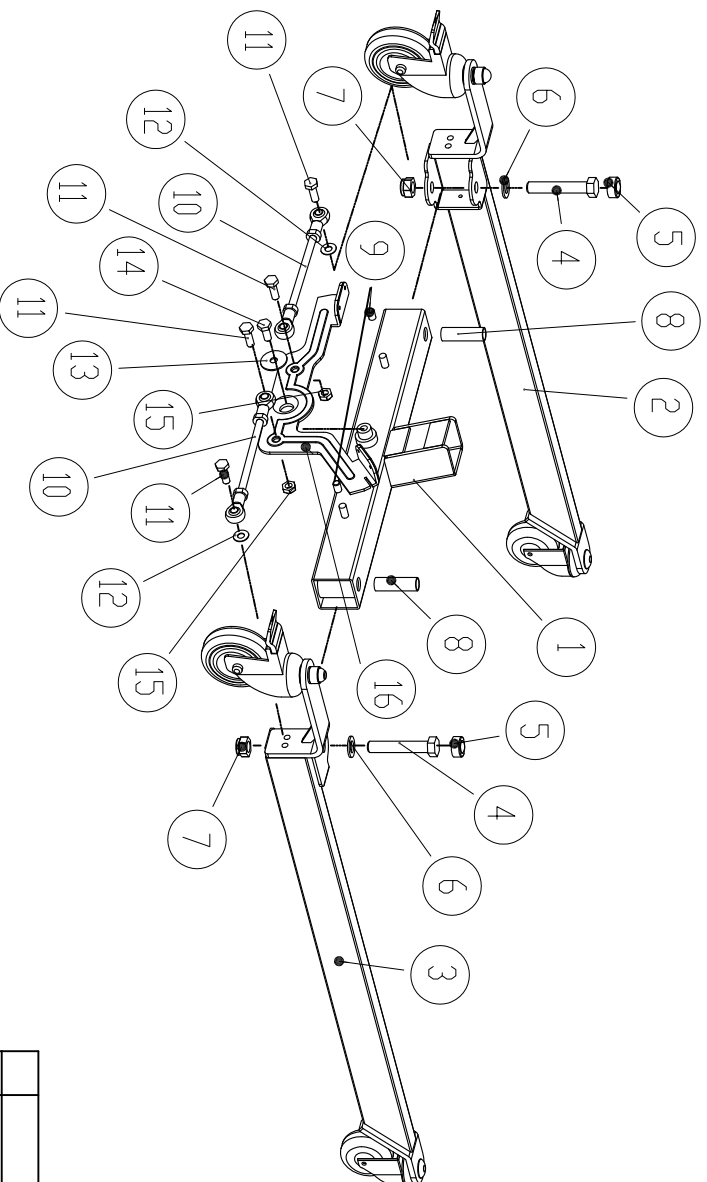
2013-08-07

REV.	DESCRIPTION	BY	DATE	APPD.	DATE	EQN NO.
1-6	±0.1 DRN.					
6-30	±0.2 DSN.					
30-100	±0.3 CKD.	Berton				
100-300	±0.4 APPD.	Berton				
TOL.		NAME		UNIT		SCALE
		PL400H/DPL400EL		mm		NONE
		Spreader bar assemble				
		DWG. NO.		REV.		SHEET
		Explosion chart		0		1/1

Bestcare Medical CO., LTD.



PL400H/DPL400EL Base assemble explosion chart

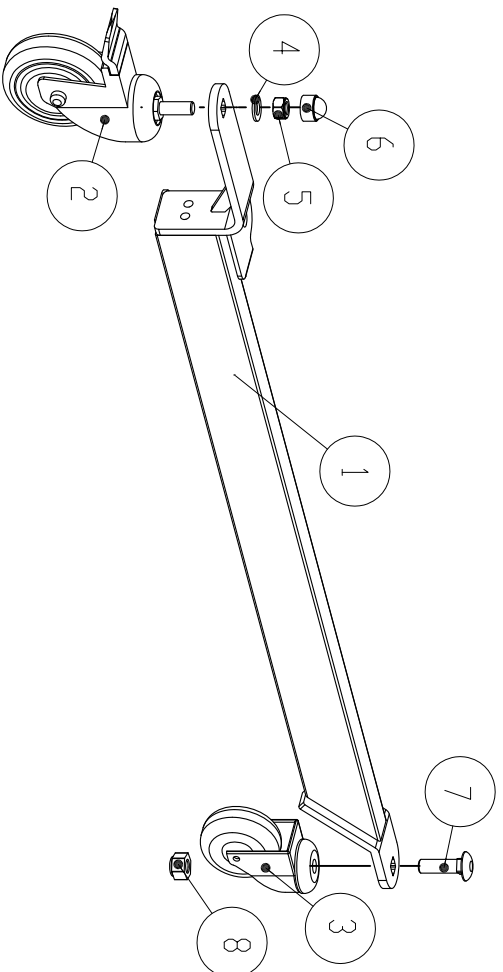


1.	Base	1
2.	Leg assemble-right	1
3.	Leg assemble-left	1
4.	Bolt-M16-90L	2
5.	Cap-rubber	2
6.	Spacer, □16	2
7.	Nut, M16	2
8.	Tube, Rotate	2
9.	Cap, □9	2
10.	Joint bar	2
11.	Bolt, M10-30L	4
12.	Washer, M10	2
13.	Washer, $\phi 10-\phi 38$	1
14.	Bolt, M10-20L	1
15.	Nut, M10	2
16.	Foot pedal	1

2013-08-07

REV.	DESCRIPTION	BY	DATE	APPD.	DATE	EGN NO.
1-6	±0,1	DRN.				
6-30	±0,2	DSN.				
30-100	±0,3	CKD.	Berton			
100-300	±0,4	APPD.	Berton			
TOL.		NAME PL400H/DPL400EL		FINISH		UNIT mm
		Base assemble		NONE		SCALE NONE
DWG. NO.			Explosion chart			
Bestcare Medical CO., LTD.			REV. 0			
			SHEET 1/1			

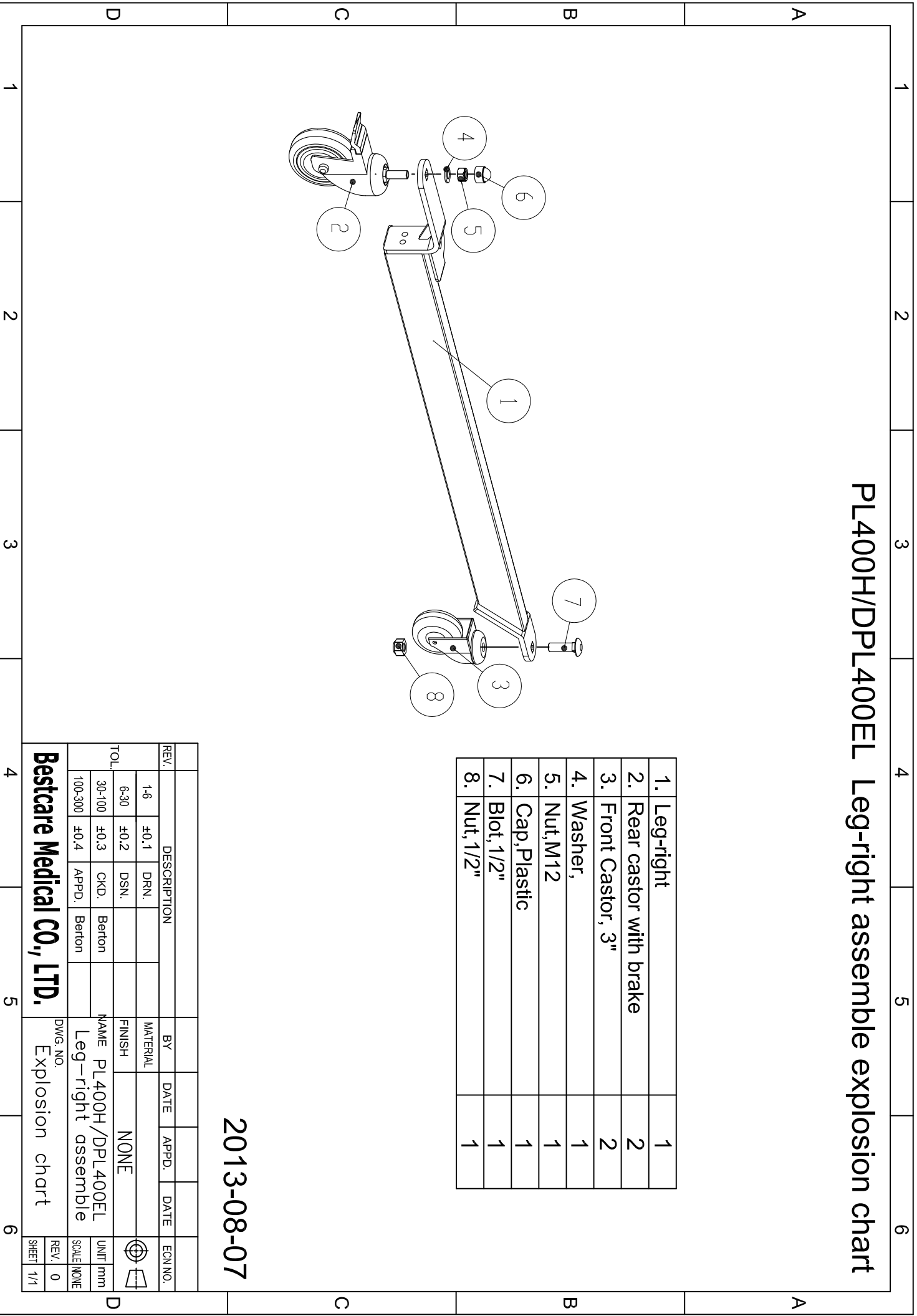
PL400H/DPL400EL Leg-right assemble explosion chart



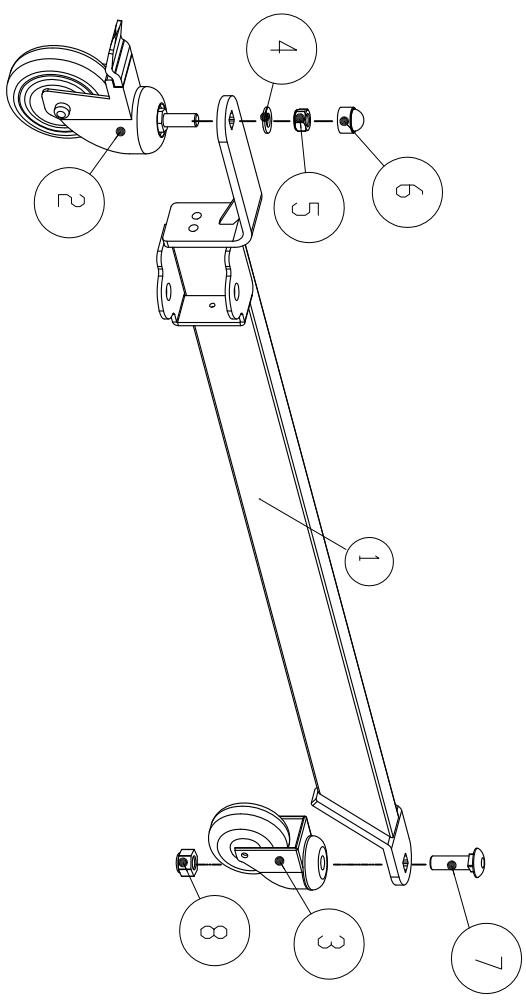
1.	Leg-right	1
2.	Rear castor with brake	2
3.	Front Castor, 3"	2
4.	Washer,	1
5.	Nut, M12	1
6.	Cap, Plastic	1
7.	Blot, 1/2"	1
8.	Nut, 1/2"	1

2013-08-07

REV.	DESCRIPTION	BY	DATE	APPD.	DATE	EQN NO.
1-6	±0,1	DRN.				
6-30	±0,2	DSN.				
30-100	±0,3	CKD.	Berton			
100-300	±0,4	APPD.	Berton			
TOL.		NAME		FINISH		
		PL400H/DPL400EL		NONE		
		Leg-right assemble				
DWG. NO.			EXPLOSION CHART			
Bestcare Medical CO., LTD.			Explosion chart			
REV.	0	UNIT	mm	SCALE	NONE	
SHEET	1/1					



PL400H/DPL400EL Leg-left assemble explosion chart

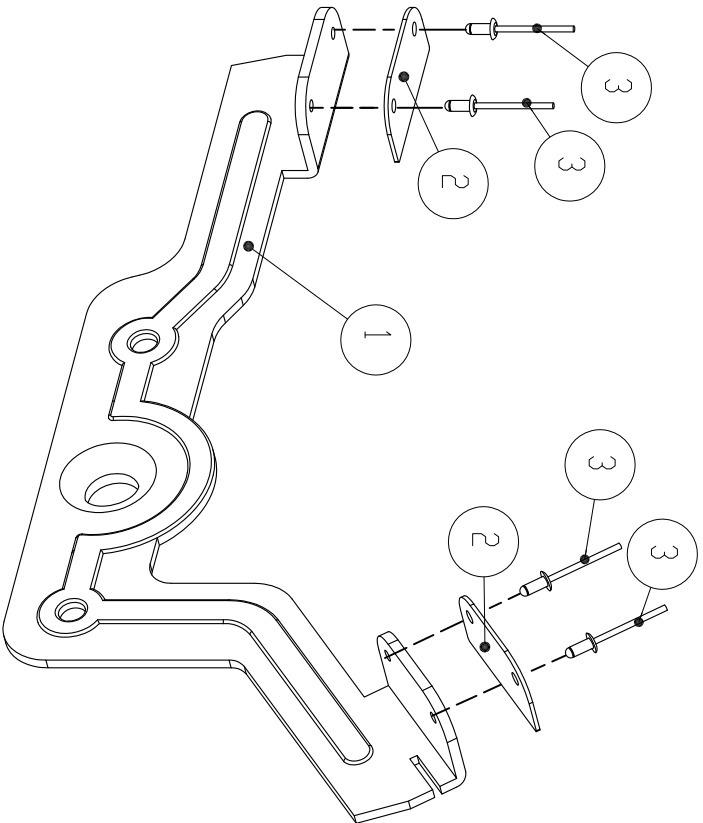


1.	Leg-left	1
2.	Rear castor with brake	2
3.	Front Castor, 3"	2
4.	Washer	1
5.	Nut,M12	1
6.	Cap,Plastic	1
7.	Blot,1/2"	1
8.	Nut,1/2"	1

2013-08-07

REV.	DESCRIPTION	BY	DATE	APPD.	DATE	EQN NO.
1-6	±0,1	DRN.				
6-30	±0,2	DSN.				
30-100	±0,3	CKD.	Berton			
100-300	±0,4	APPD.	Berton			
TOL.		NAME		FINISH		UNIT
		PL400H/DPL400EL		NONE		mm
		Leg-left assemble				SCALE
						NONE
Bestcare Medical CO., LTD.			DWG. NO.			
			Explosion chart			
REV.	0					
SHEET	1/1					

Adjusting pedal assemble explosion chart



1.	Adjusting pedal	1
2.	Slip pad	2
3.	Rivet	4

2013-08-07

REV.	DESCRIPTION	BY	DATE	APPD.	DATE	EQN NO.
1-6	±0,1	DRN.				
6-30	±0,2	DSN.				
30-100	±0,3	CKD.	Berton			
100-300	±0,4	APPD.	Berton			
TOL.		NAME		FINISH		UNIT
		PL400H/DP400EL		NONE		mm
		Adjusting pedal assemble				SCALE
						NONE
Bestcare Medical CO., LTD.			DWG. NO.	Explosion chart		
			REV.	0		
			SHEET	1/1		