

BESTSTAND™

SA600 | SIT-TO-STAND

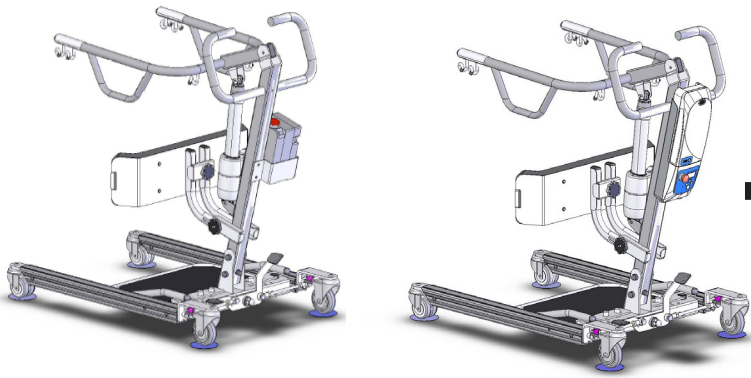
The SA600 have extra wide adjustable kneepads that will help meet the needs of a wider range of patient needs. To support the extra weight, the SA600 has a heavy duty boom to help lift and support the patient for smoother and safer transfers. The emergency quick release make the SA600 the safest lift in any situation.

- Up to **600lb** weight capacity
- Performance class actuator with quick release for faster transfers
- Available with new Bestcare Performance Electronics
- Wide adjustable kneepad



| SA600EL

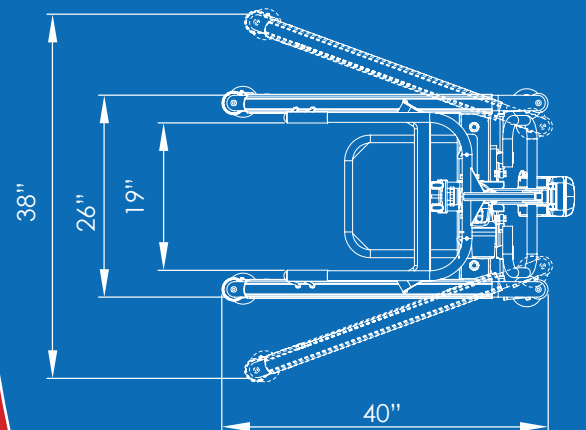
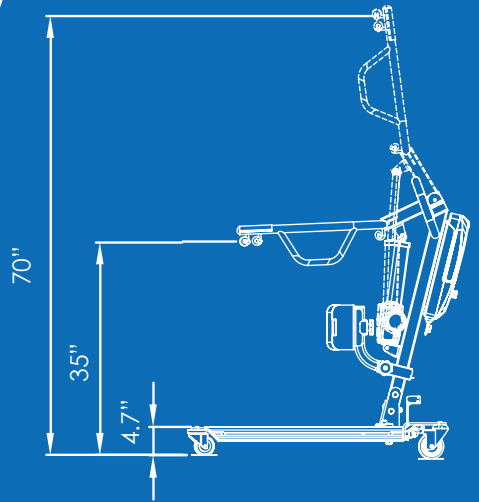
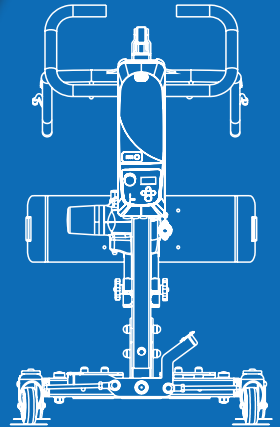
| SA600E-D



NEW!
CONTINUOUS PERFORMANCE

*charger shown
24/7 ELECTRONICS

| DIMENSIONS



SPECIFICATIONS FOR SA600	
maximum capacity	600Lb / 280Kg
base legs length	40"
external width	26"
expandable internal width	38"
base height	4.7"
min. lifting height	35"
max. lifting height	70"
internal width	19"

*** SPECIFICATIONS PROVIDED ARE A GENERAL GUIDELINE AND ARE SUBJECT TO CHANGE WITHOUT NOTICE**