

BESTLIFT™

PL400 | FULL BODY PATIENT LIFT

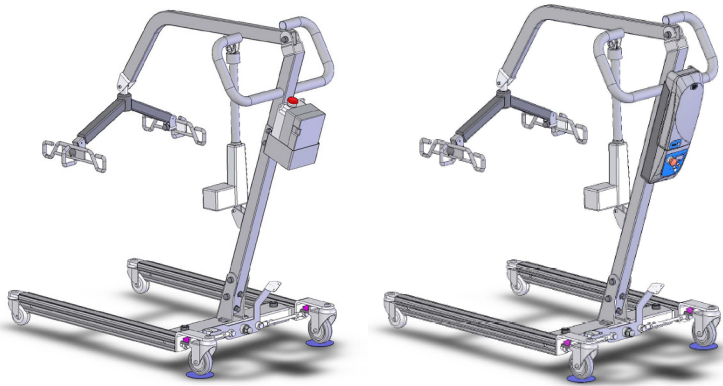
Maximum patient safety and comfort are built into this highly maneuverable workhorse. Simple to operate with a unique emergency lowering mechanism. Equipped with a six-point spreader bar to distribute weight evenly and for superior sling application.



- 6 point spreader bar
- **400lb** capacity
- Electric kit upgrade
- Open / Close base

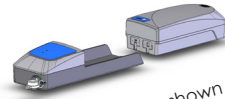
| **PL400EL**

| **PL400E-D**



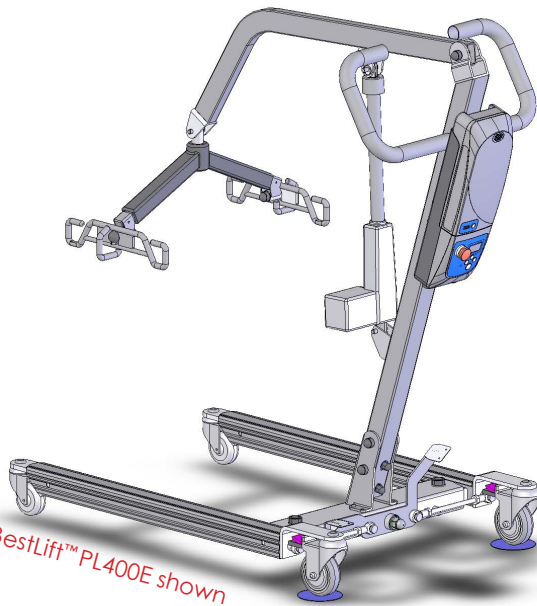
NEW!

**CONTINUOUS
PERFORMANCE**

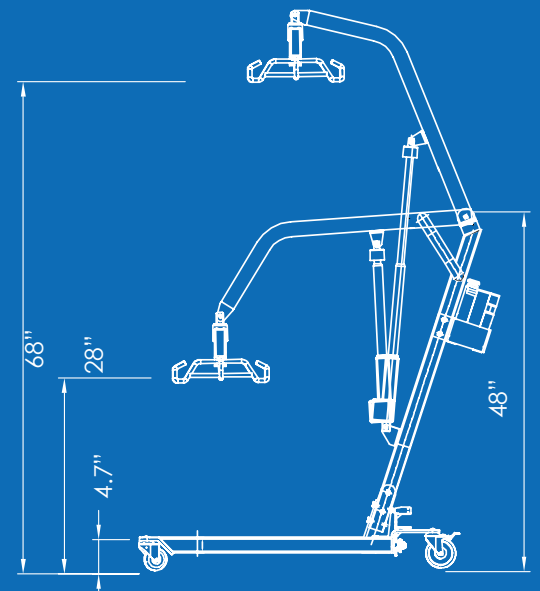
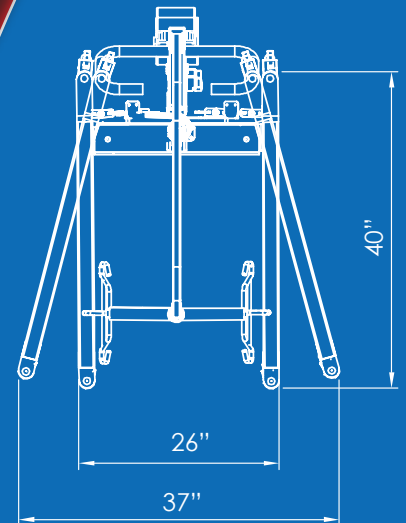


*charger shown
24/7 ELECTRONICS

| **DIMENSIONS**



**BestLift™ PL400E shown*



SPECIFICATIONS FOR PL400

maximum capacity	400Lb / 180Kg
base legs length	40"
base closed external width	26"
based open external width	37"
mast height	48"
base height	4.7"
min. lifting height	28"
max. lifting height	68"

*** SPECIFICATIONS PROVIDED ARE A GENERAL GUIDELINE
AND ARE SUBJECT TO CHANGE WITHOUT NOTICE**